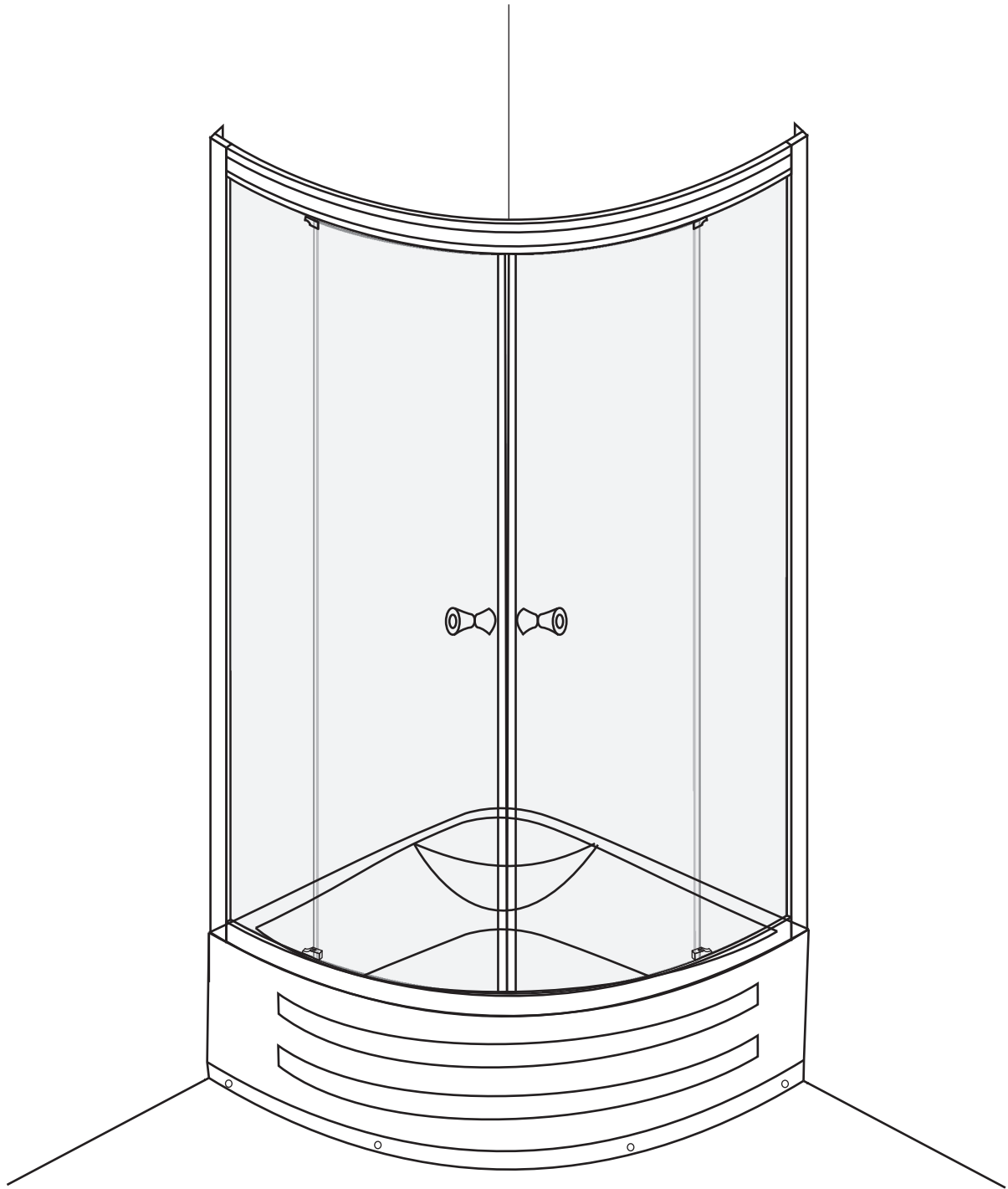


SIGMA

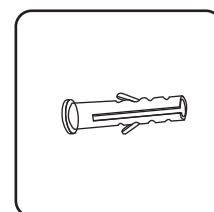
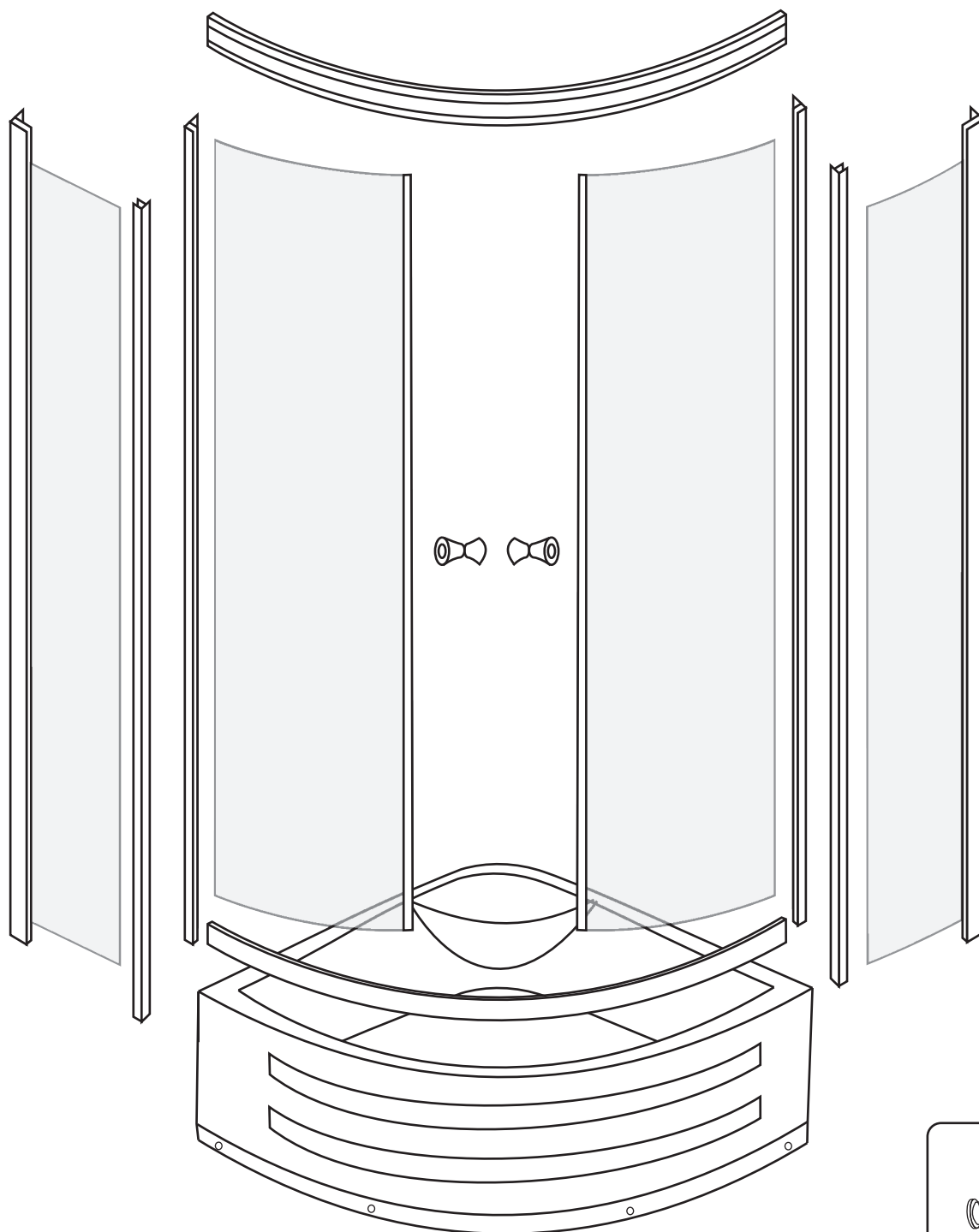
Installation instructions



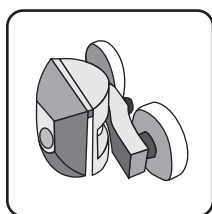
SIZE : 90*90*200 CM

SIGMA

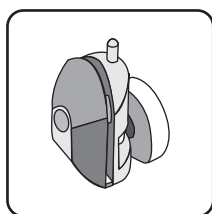
Installation instructions



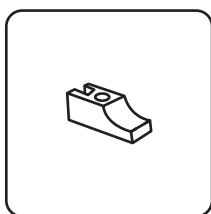
8PCS



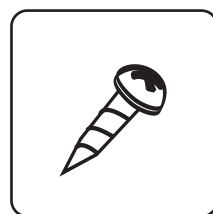
4PCS



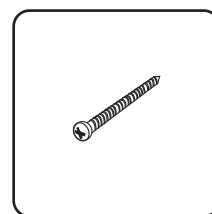
4PCS



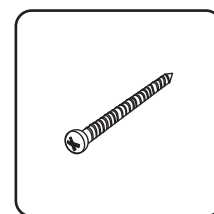
4PCS



4x14mm
4PCS



4x25mm
8PCS



4x45mm
8PCS

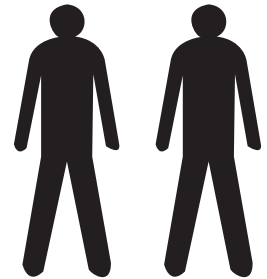
SIGMA

Installation instructions

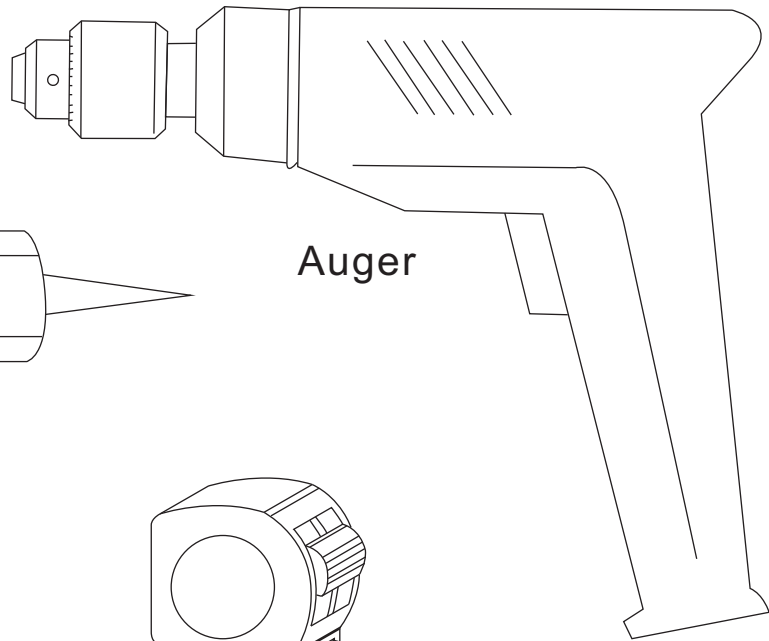
TOOLS REQUIRED(NOT SUPPLIED)

when you're ready to start,make sure that you have the following tools to hand,plenty of space and a clean dry area for assembly.

Two people are needed. Please note:although these instructions are comprehensive,We always recommend that a technically competent installer should undertake installation.

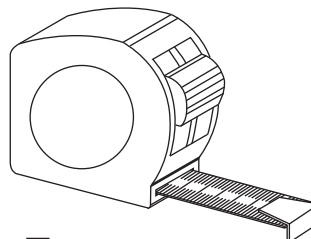
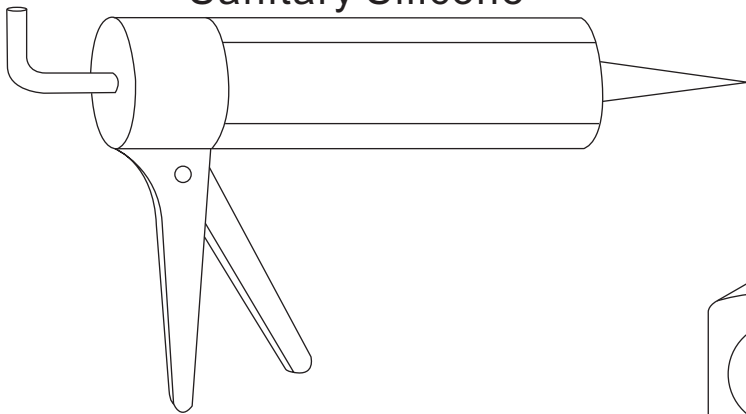


Drill beat head
4mm

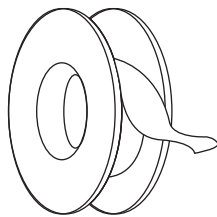


Auger

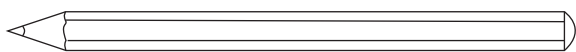
Sanitary Silicone



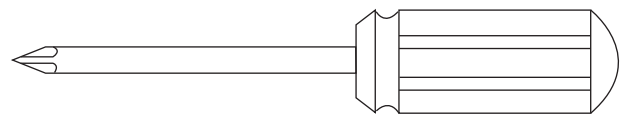
Tape measure



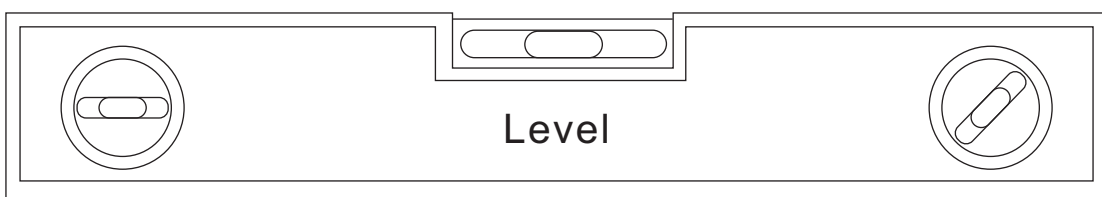
PTFE tape



Pencil



Magnetic crosshead screwdriver

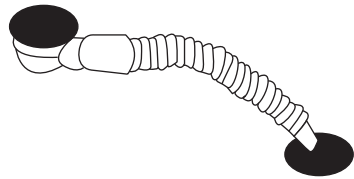
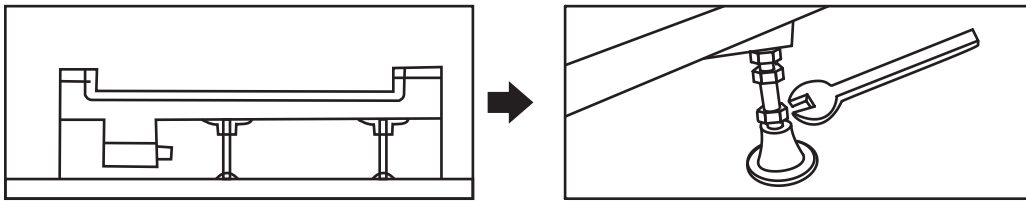
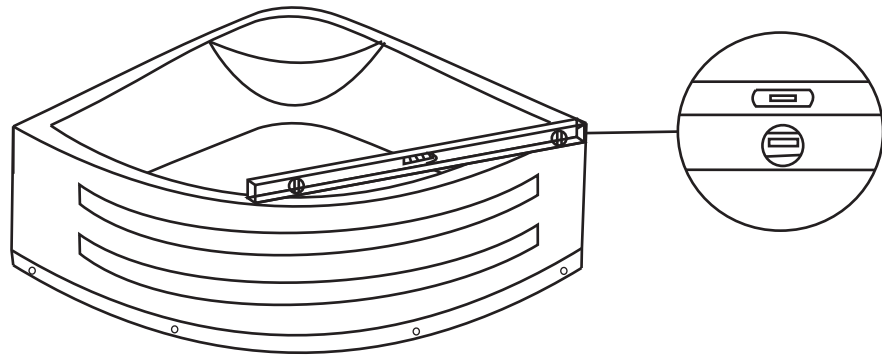


Level

SIGMA

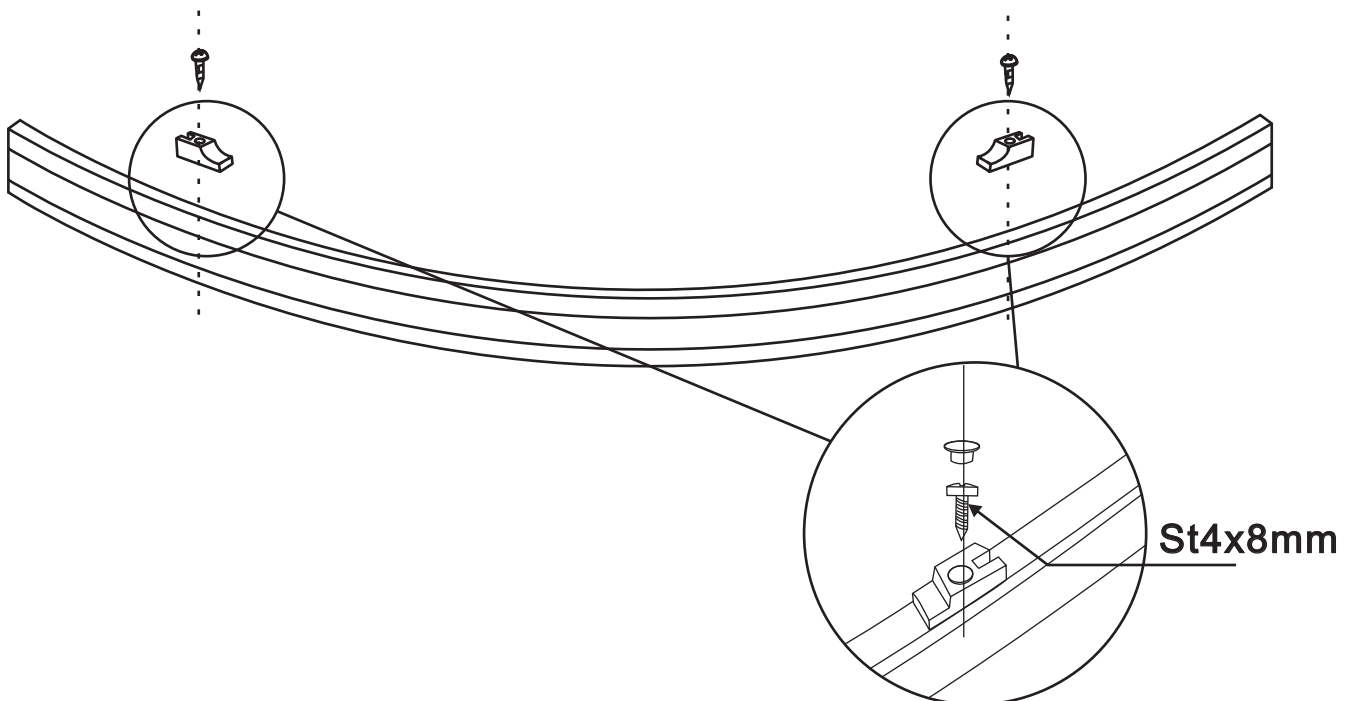
Installation instructions

1.



Lift the rear part of bottom basin, and then insert one end of the pipe into the drainage hole

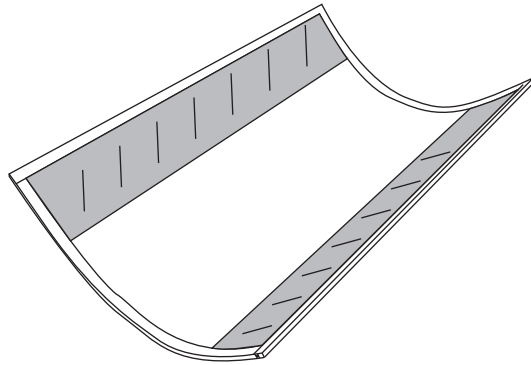
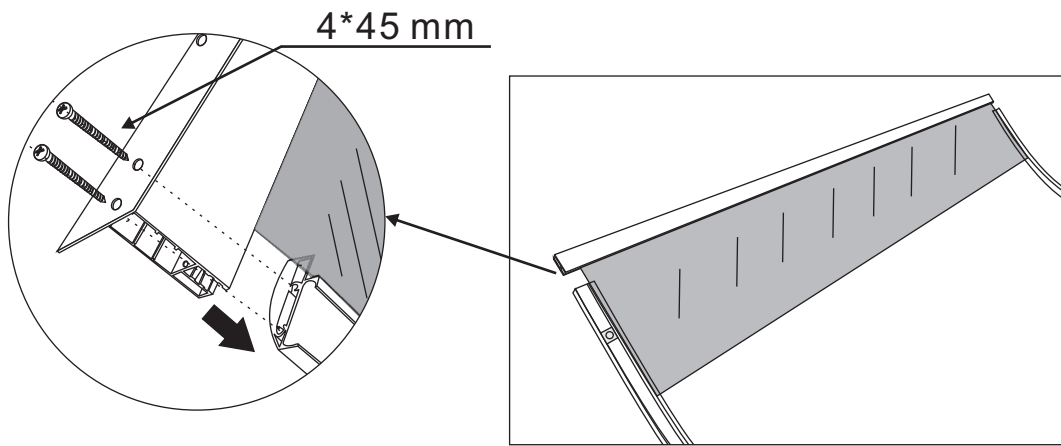
2.



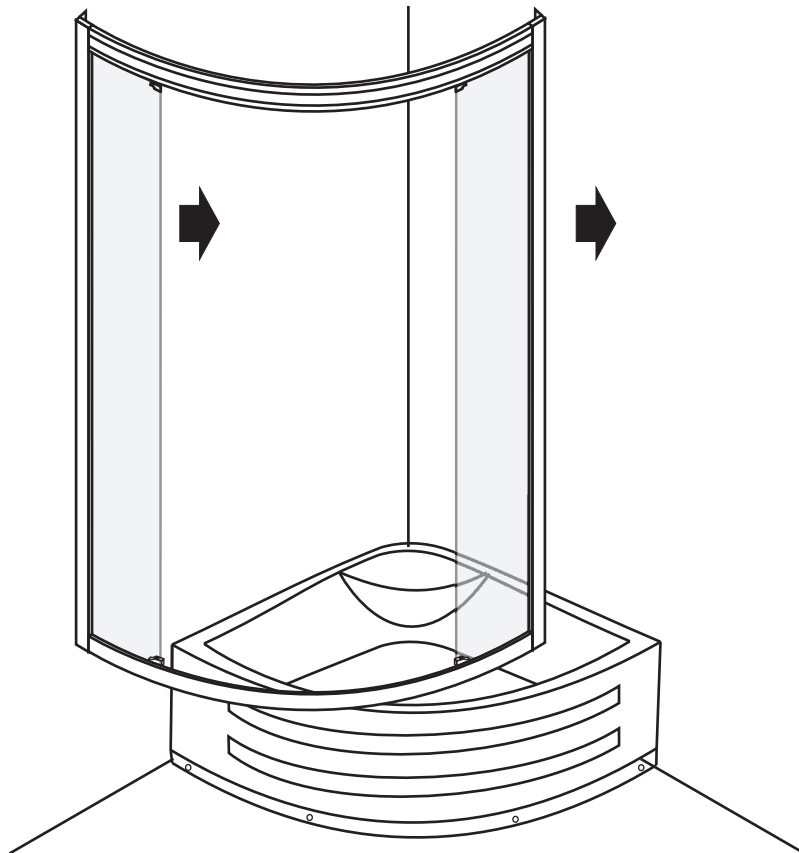
SIGMA

Installation instructions

3.



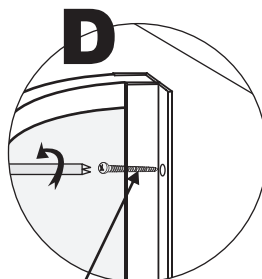
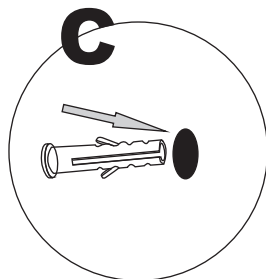
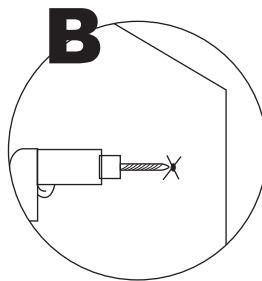
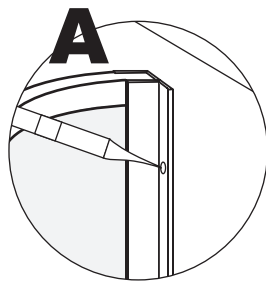
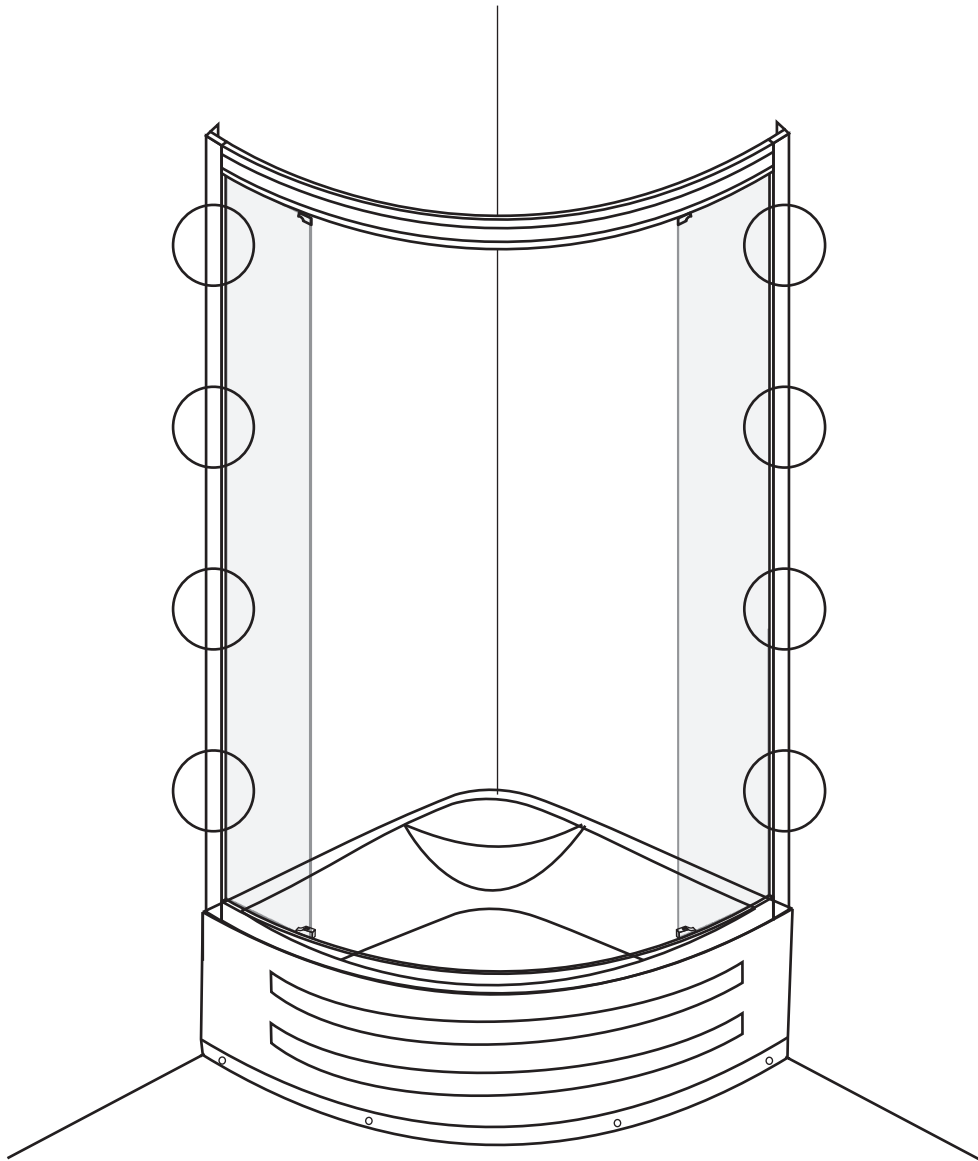
4.



SIGMA

Installation instructions

5.

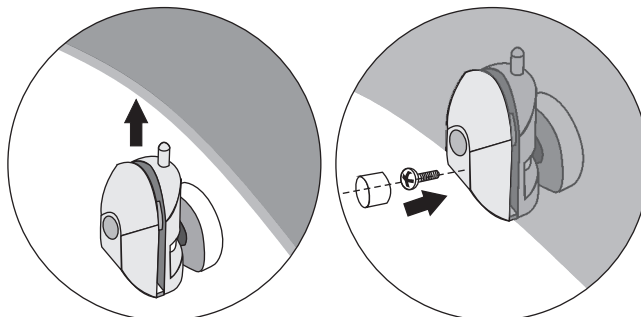
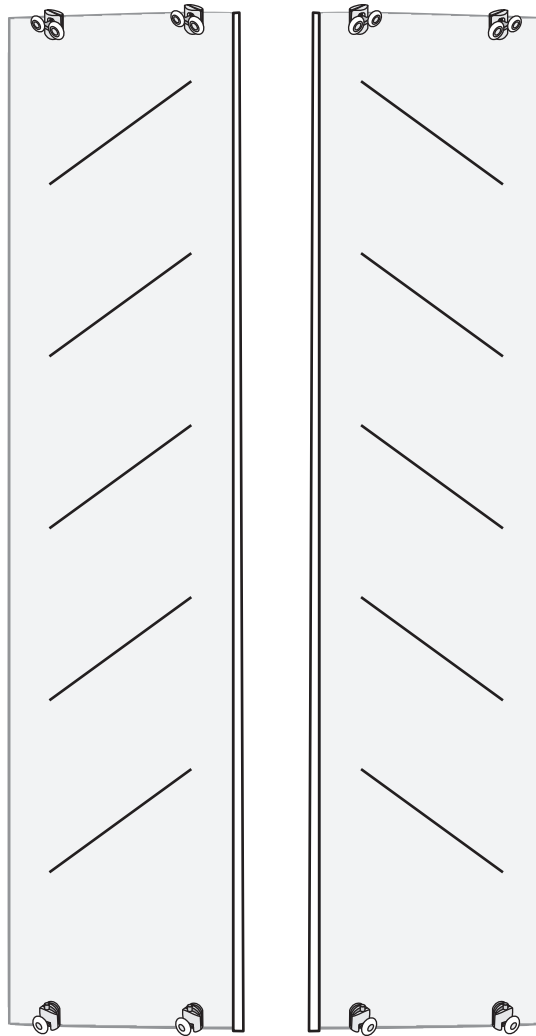
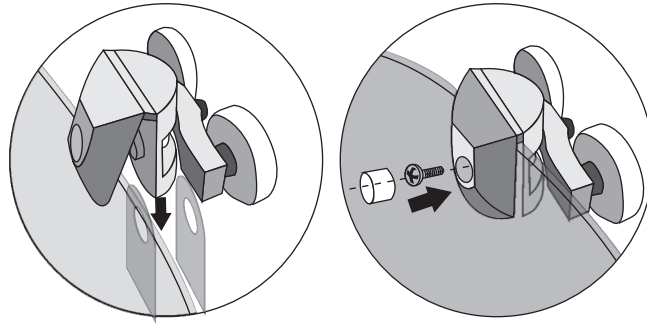


4*25 mm

SIGMA

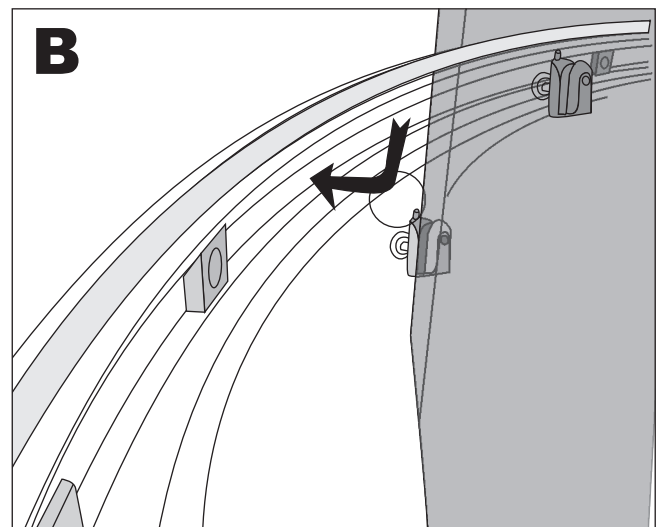
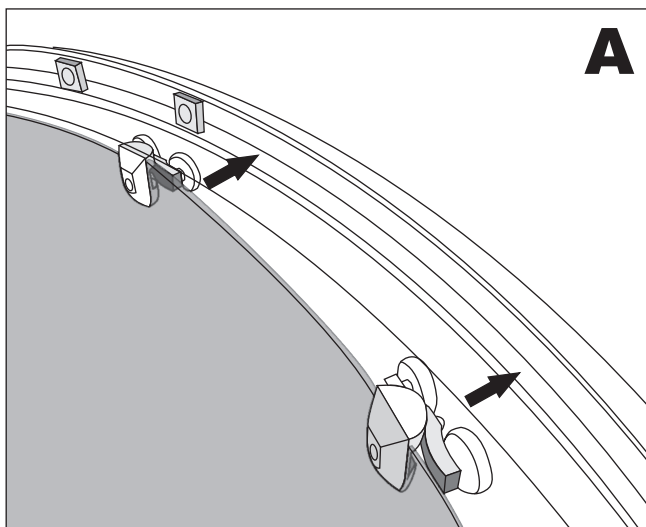
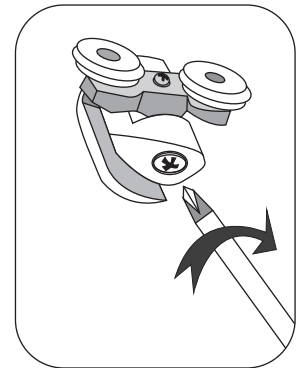
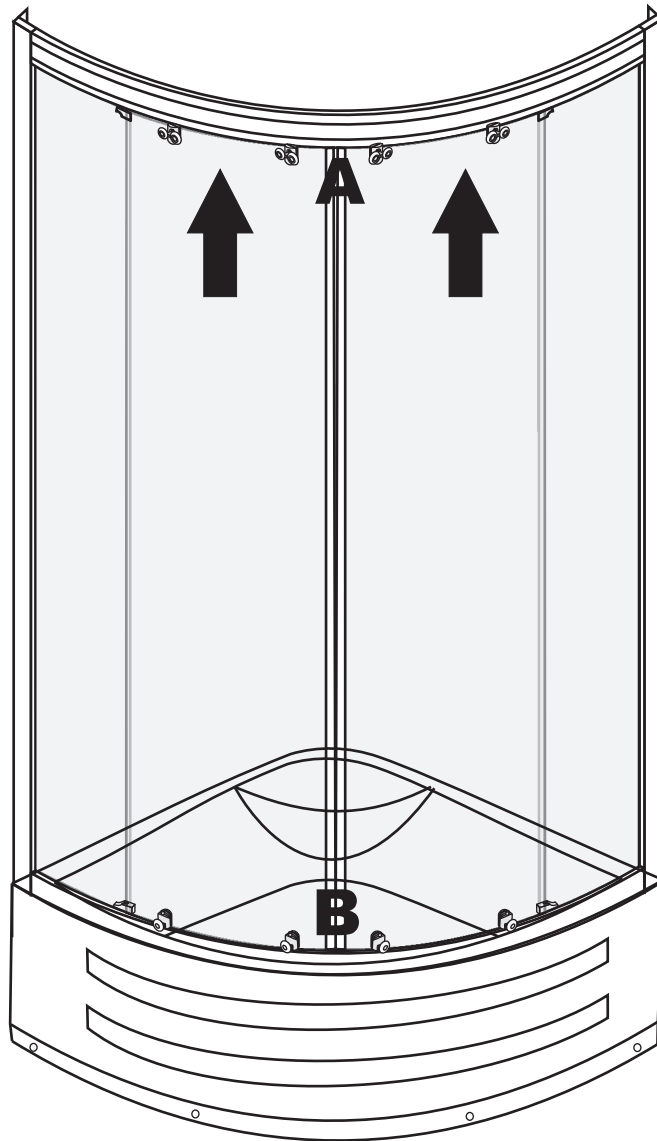
Installation instructions

6.



SIGMA

Installation instructions



SIGMA

Installation instructions

7.

