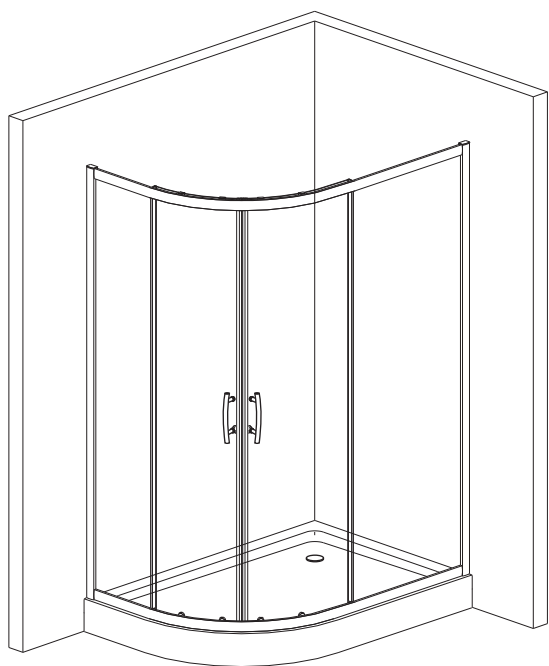
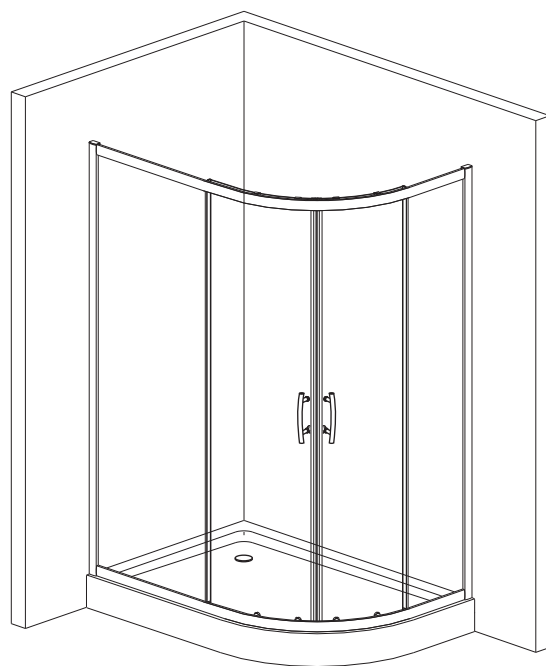


Bandh  urs

Anis 810L
Anis 810R
Anis 812L
Anis 812R



100x80x205CM



120x90x205CM



[01]a x 1



[01]b x 1



[02]a x 1



[02]b x 1



[03] x 2



[04] x 2



[05]a x 1



[05]b x 1



L

or



R

[06]ax1 or [06]bx1



[07] x 4



[08] x 10



[09] x 2



[10]a x 2



[10]b x 2



[10]c x 2



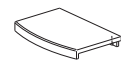
[11] x 2



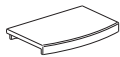
[12]a x 4



[12]b x 4



[13]a x 1



[13]b x 1



[13]c x 2



[14] x 6



[15] x 8



(St4x10mm)

[16] x 12



(St4x12mm)

[17] x 10



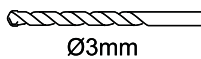
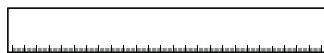
(St4x30mm)

[18] x 6



(M4x20mm)

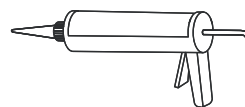
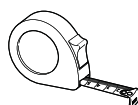
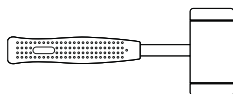
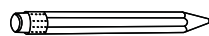
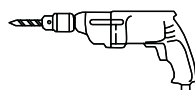
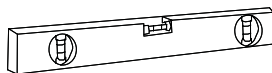
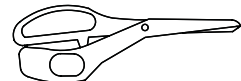
[19] x 8

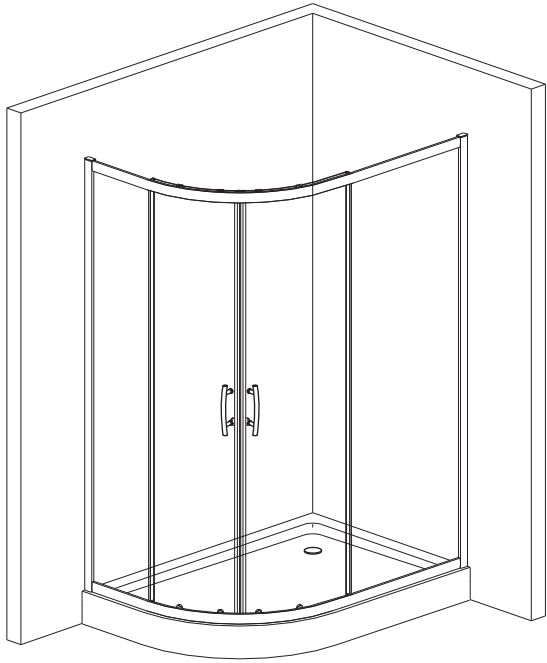


Ø3mm

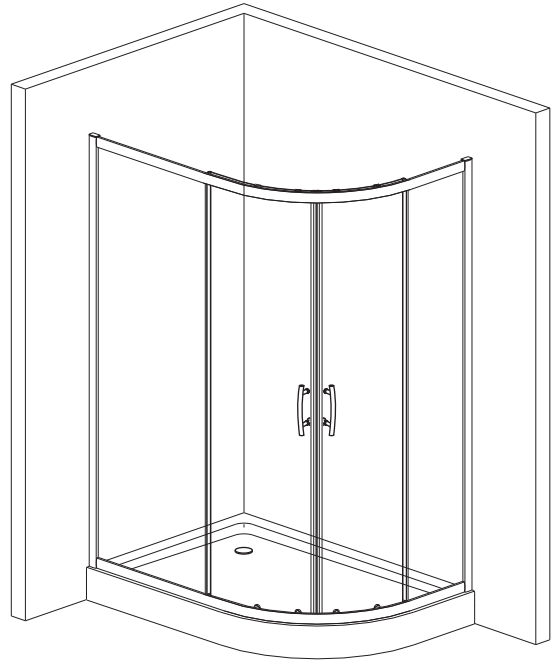
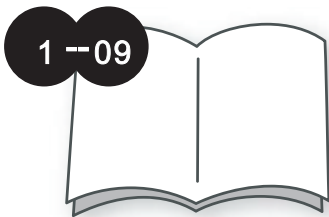


Ø6mm

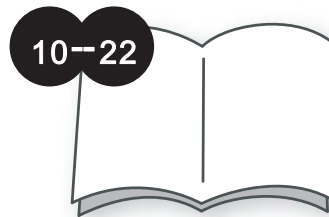


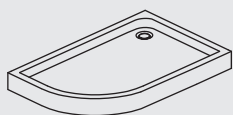
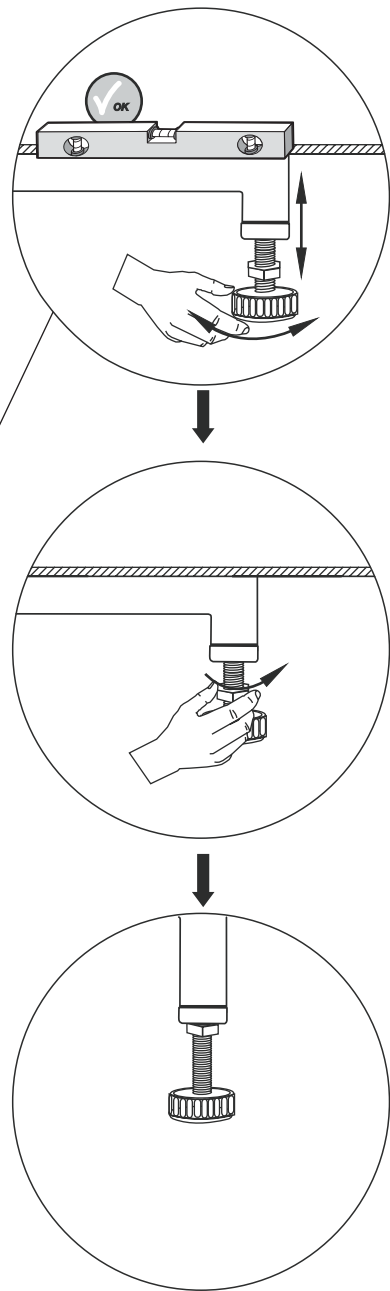
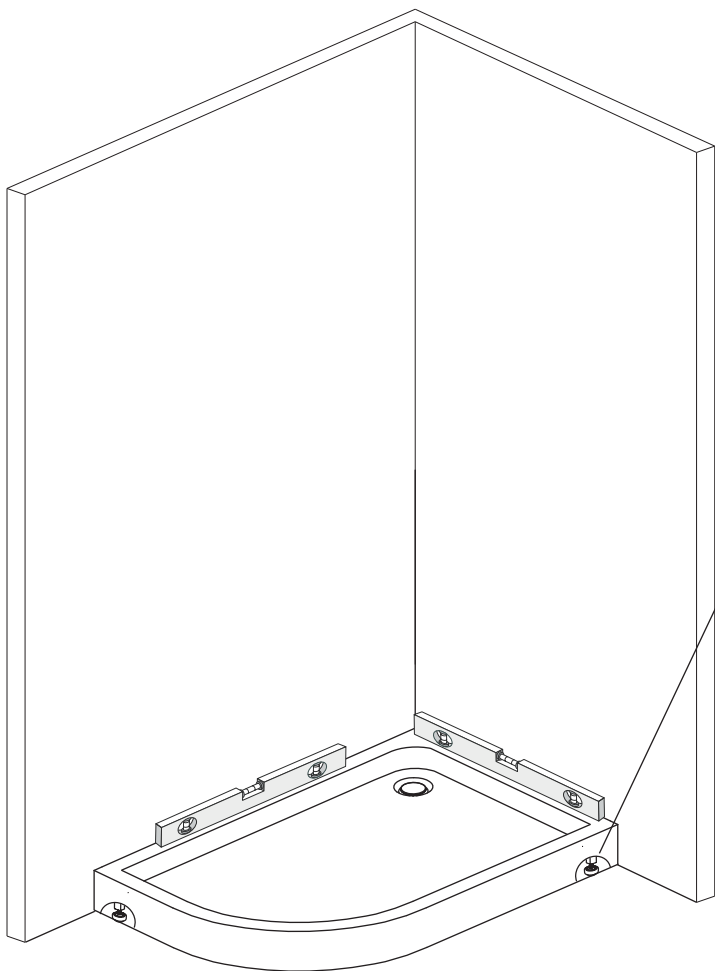


L

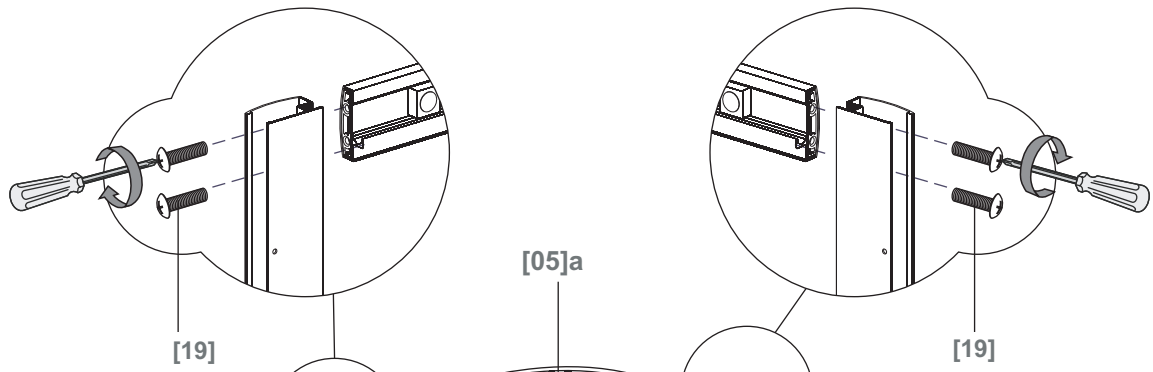


R





[06]a x 1



[19]

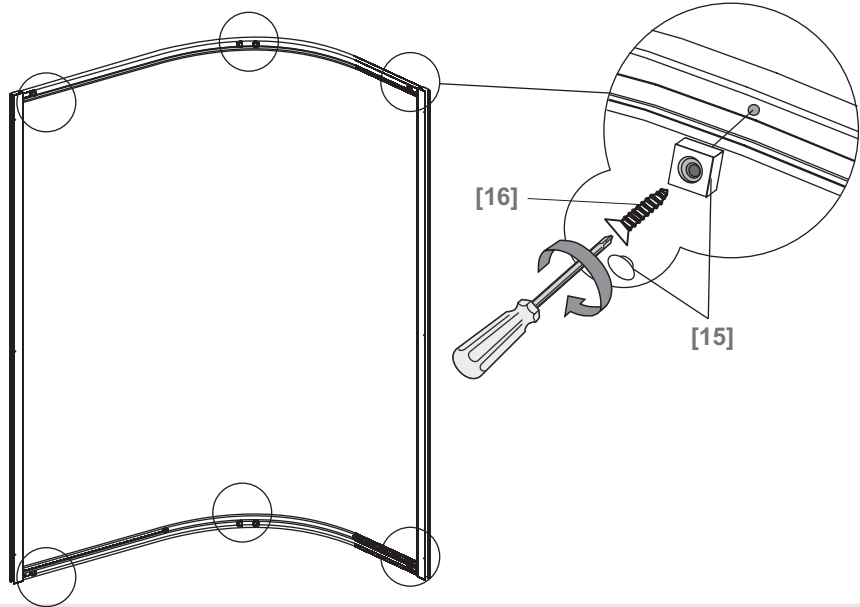
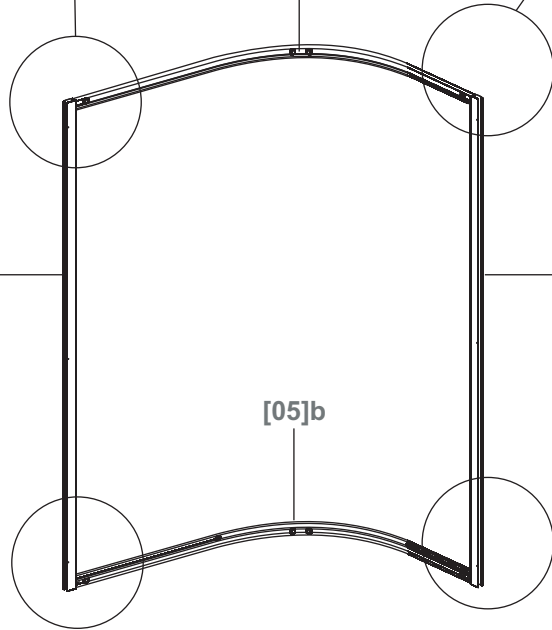
[05]a

[19]

[03]

[03]

[05]b



[16]

[15]



[03] x 2



[05]a x 1



[05]b x 1



[15] x 8



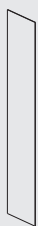
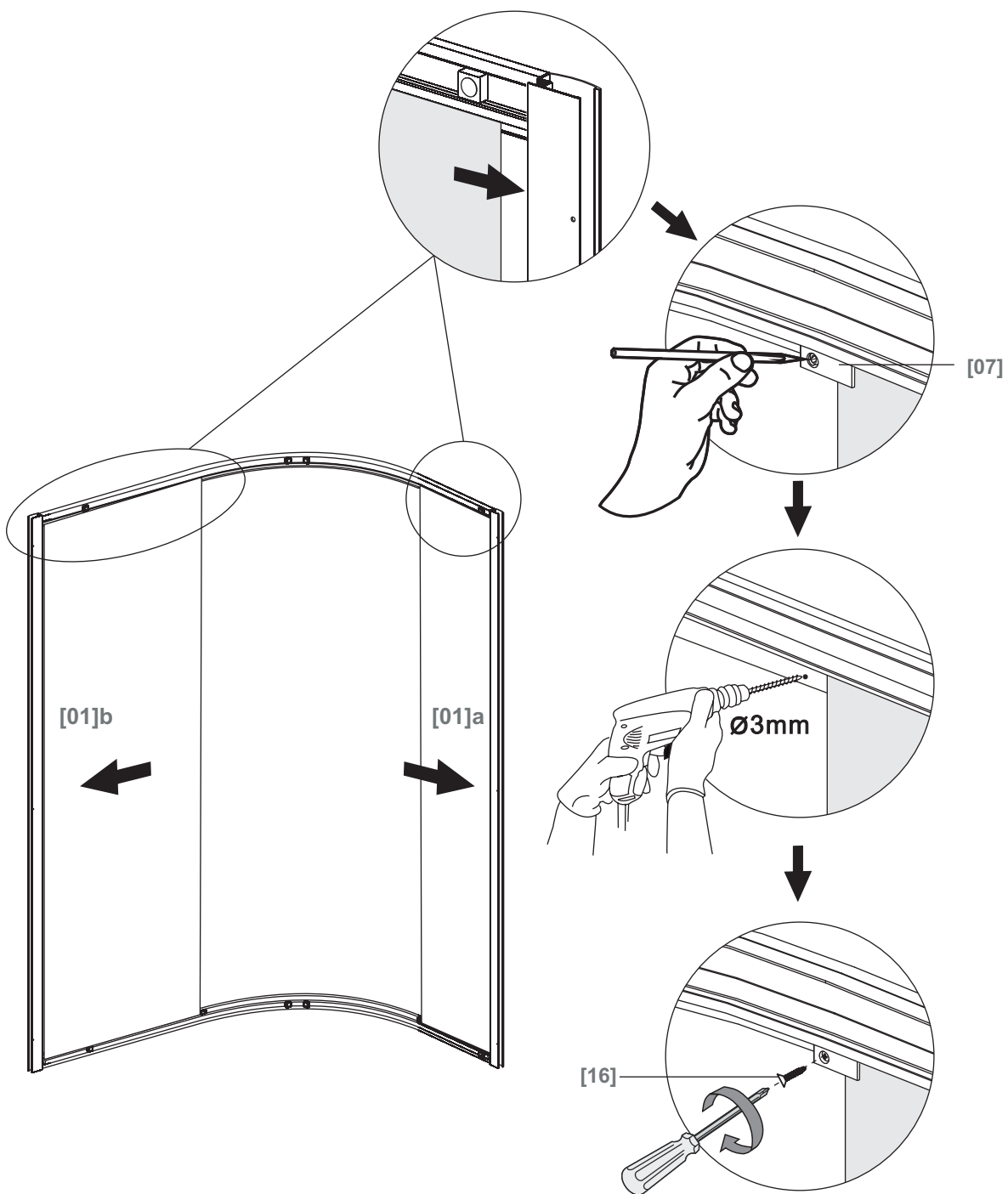
(St4x10mm)

[16] x 8



(M4x20mm)

[19] x 8



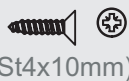
[01]a x 1



[01]b x 1

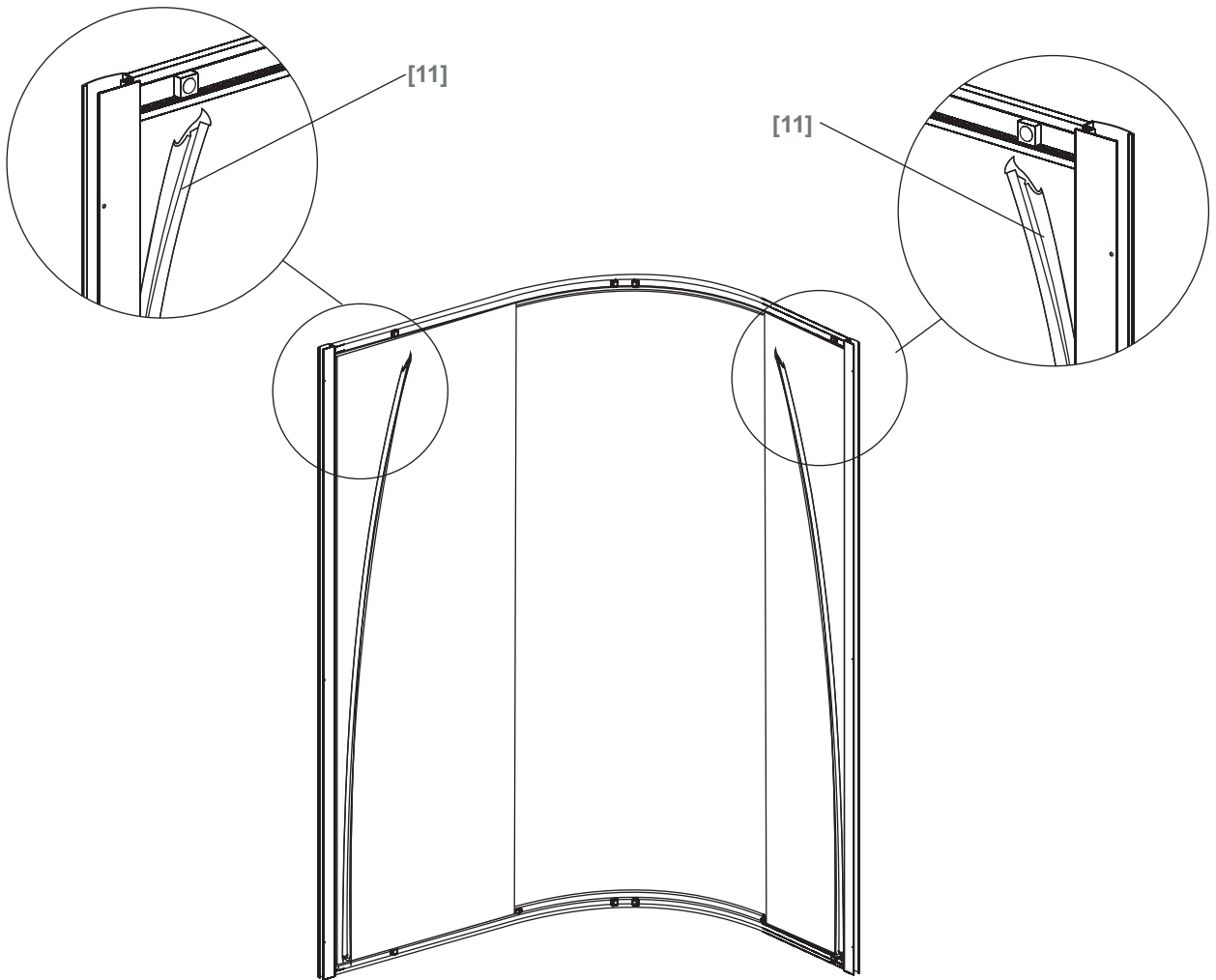


[07] x 4

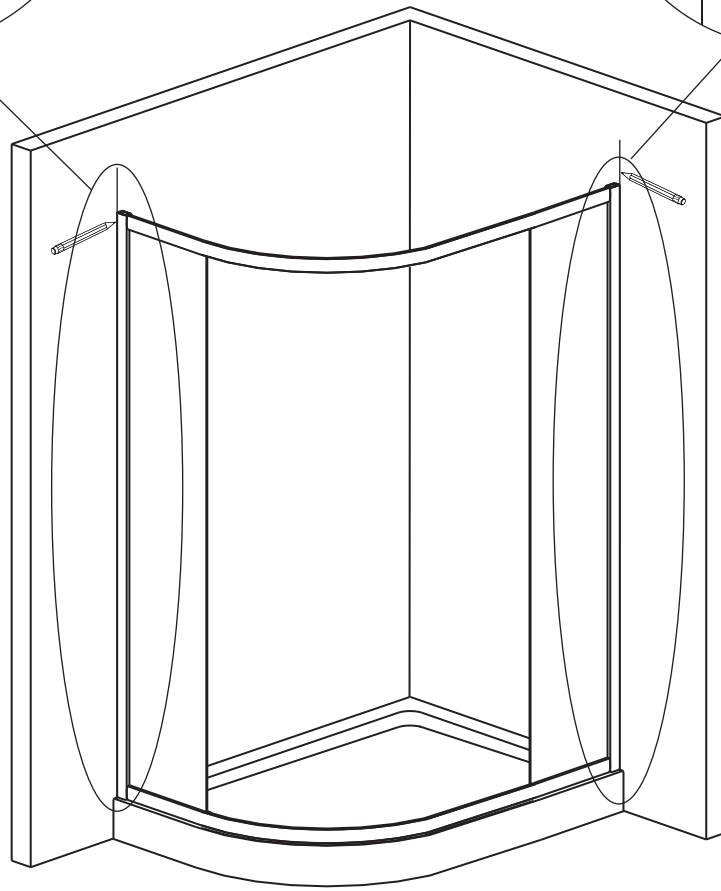
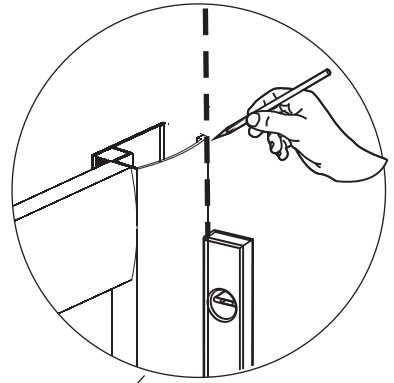
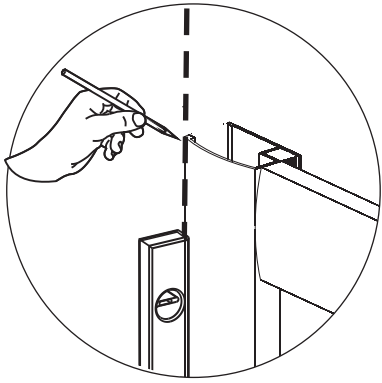


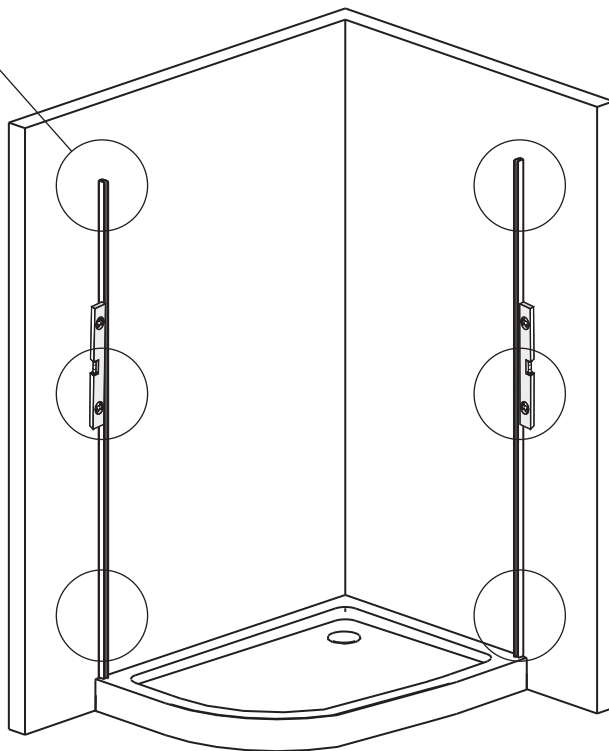
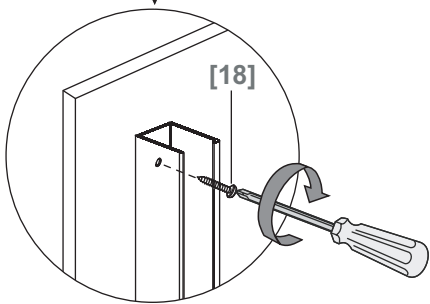
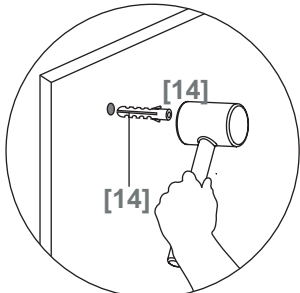
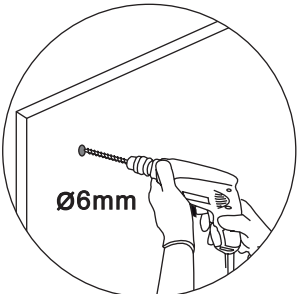
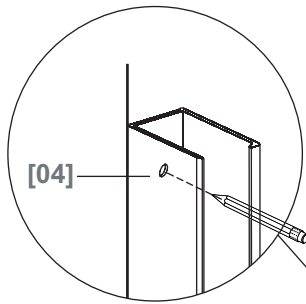
(St4x10mm)

[16] x 4



[11] x 2





[04] x 2

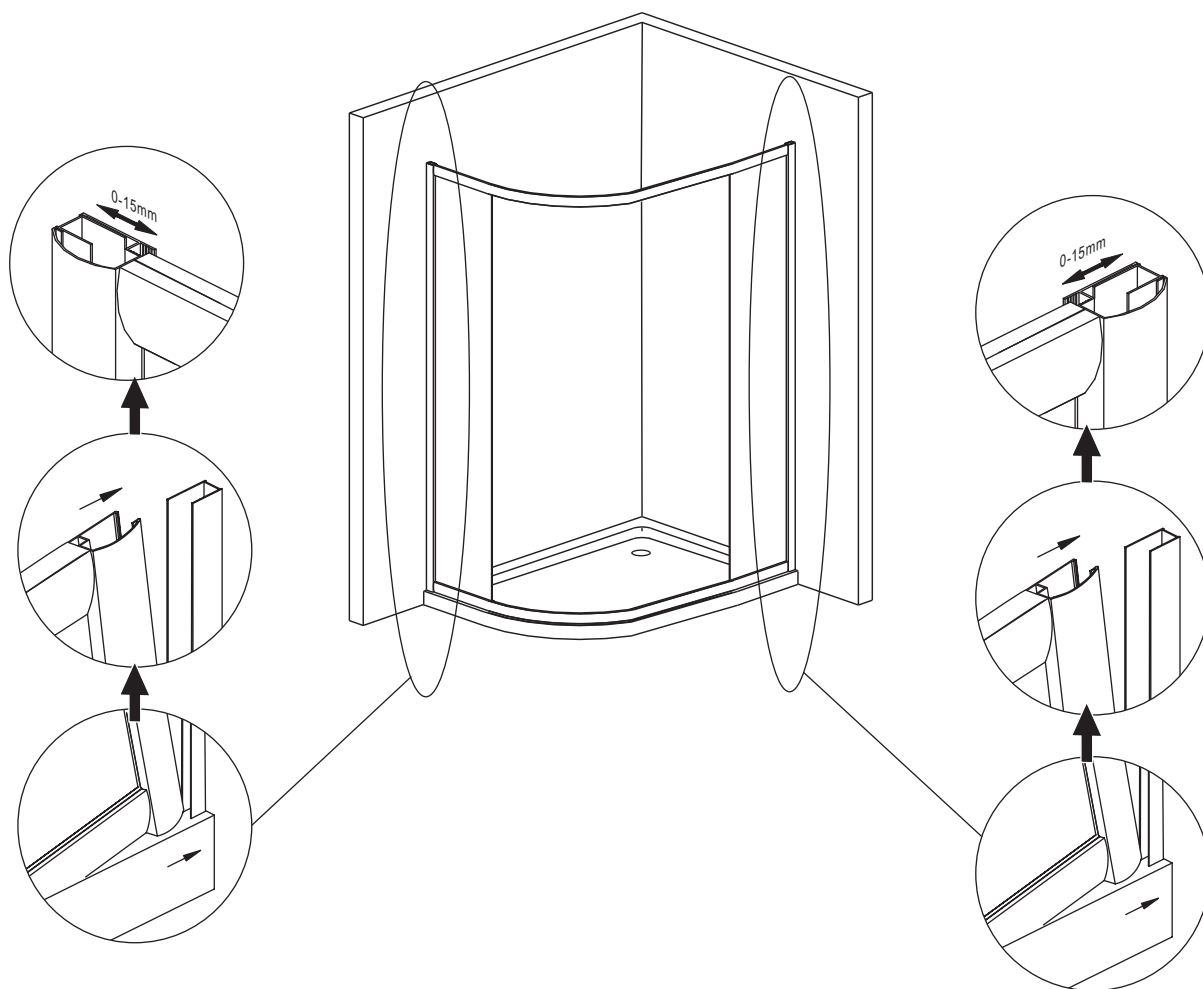


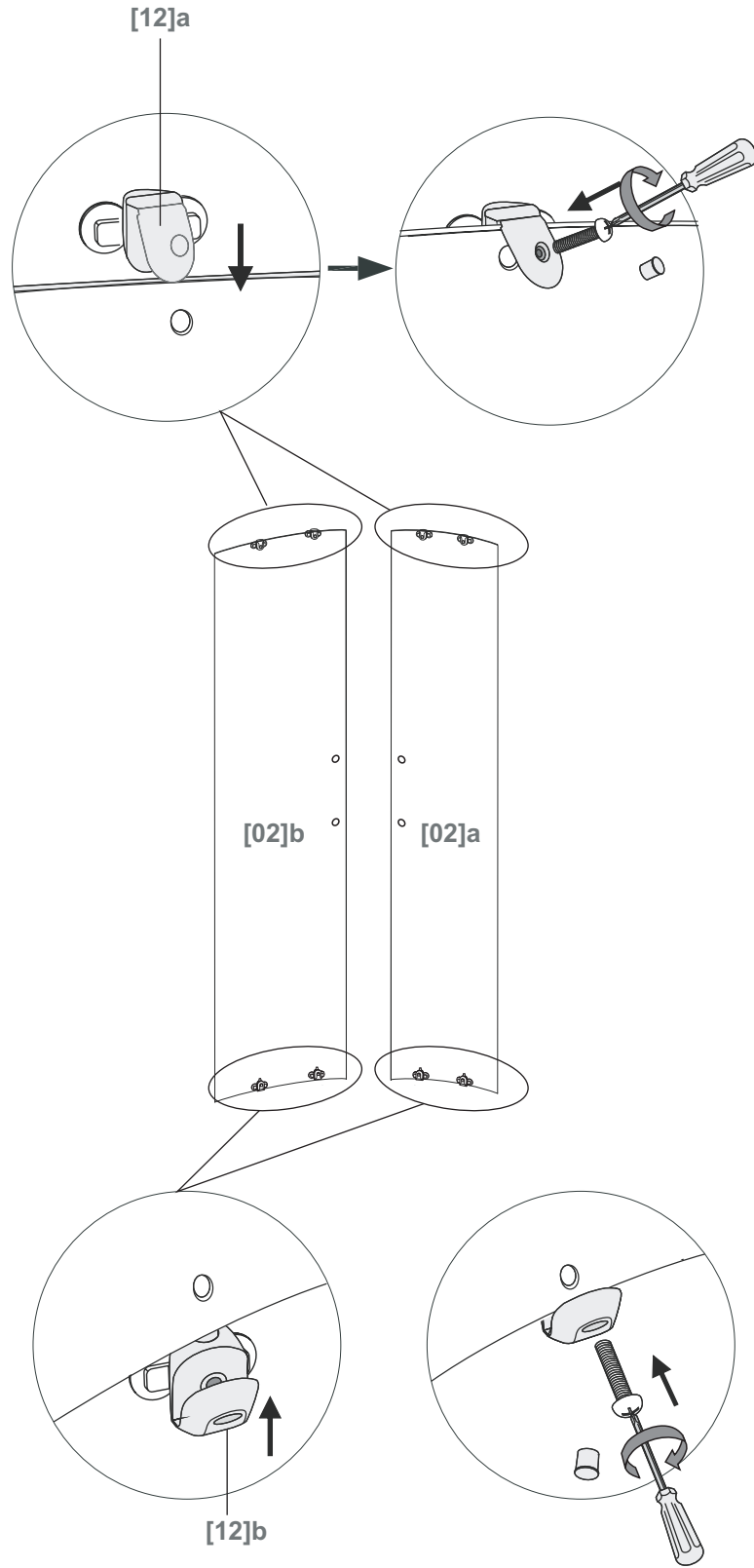
[14] x 6



(St4x30mm)

[18] x 6





[02]a x 1



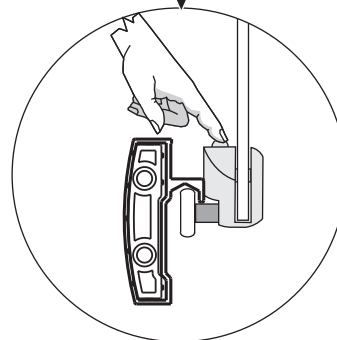
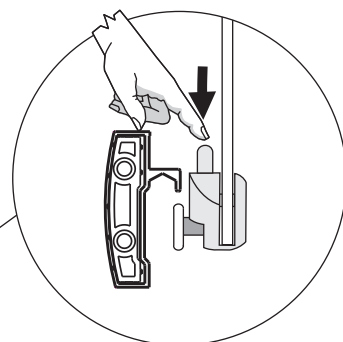
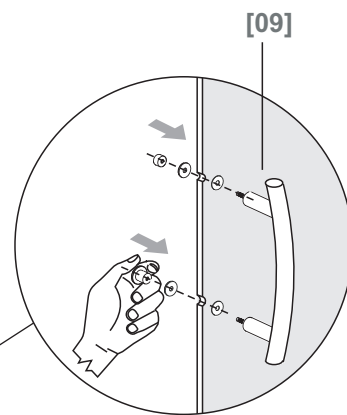
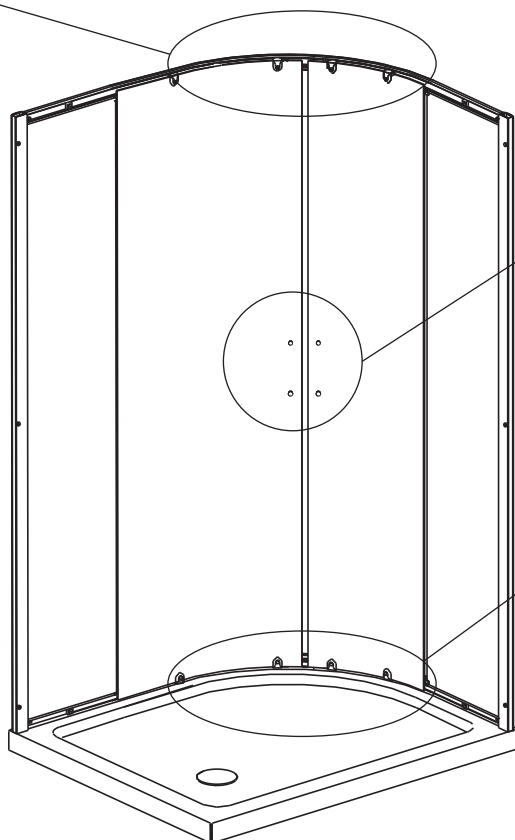
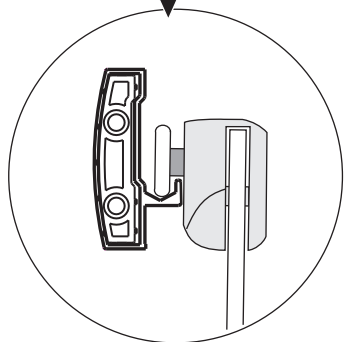
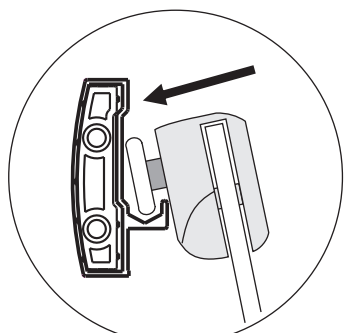
[02]b x 1



[12]a x 4



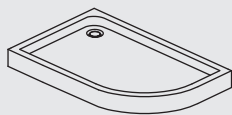
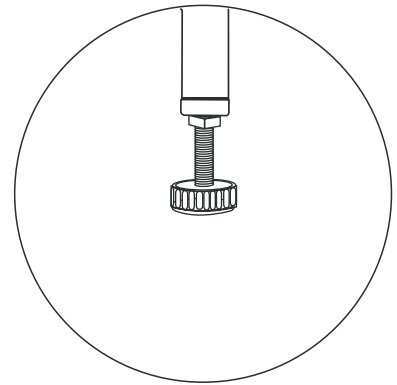
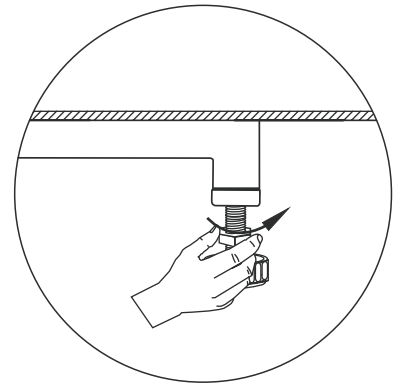
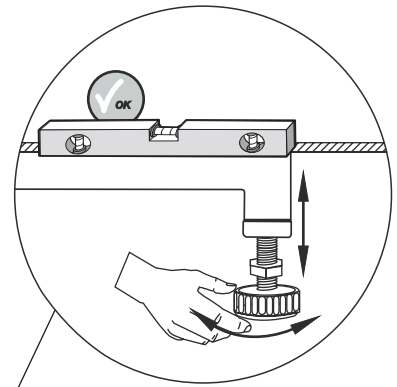
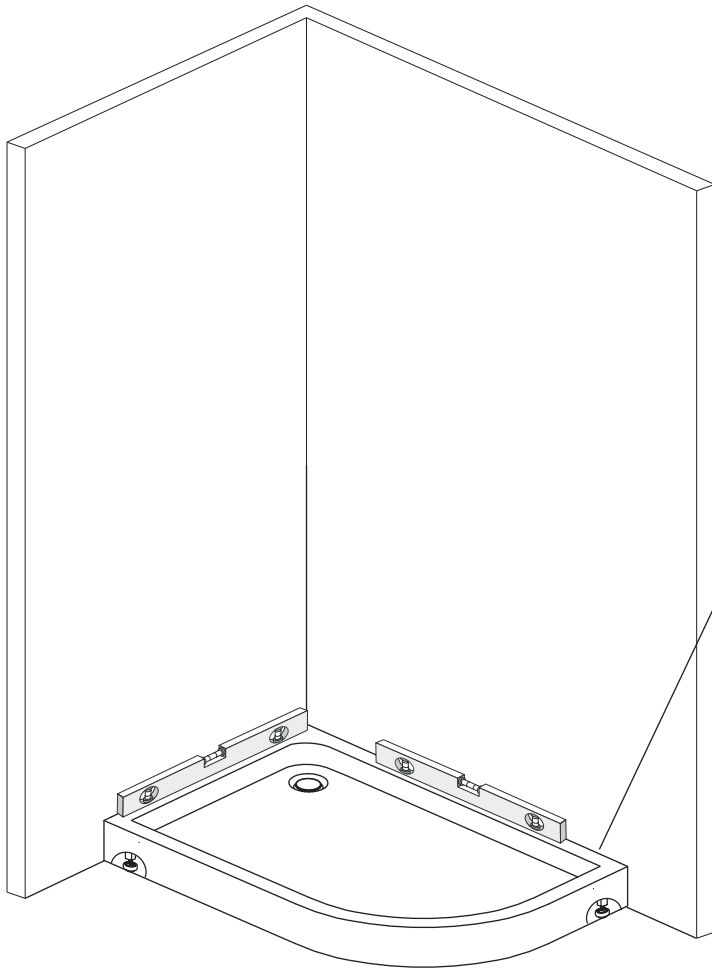
[12]b x 4



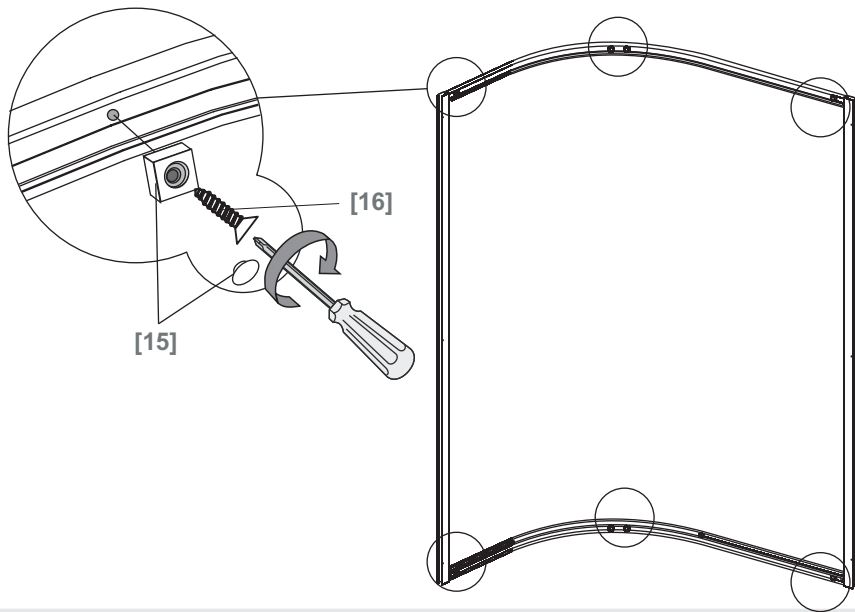
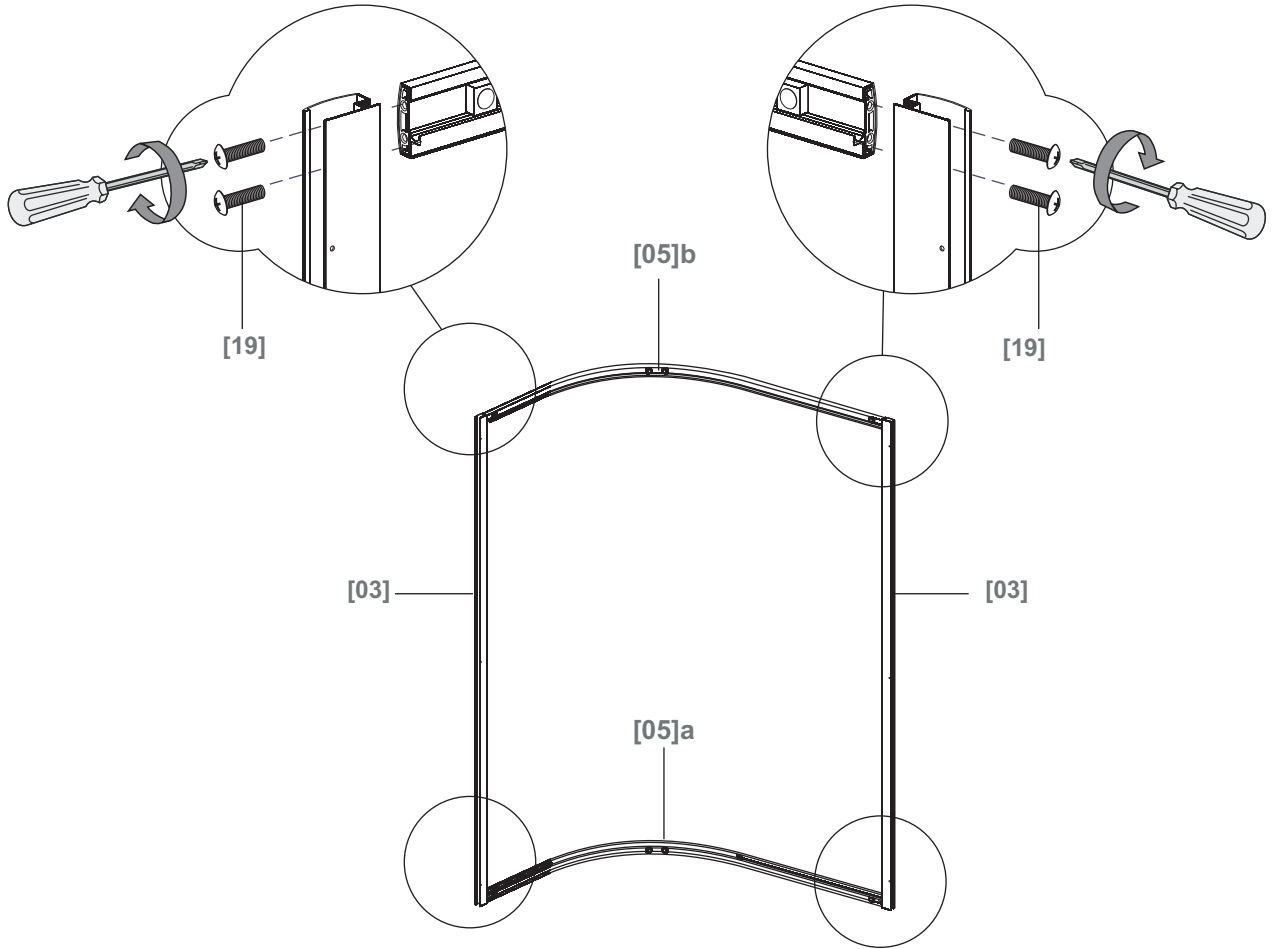
[09] x 2

19-22





[06]b x 1



[03] x 2



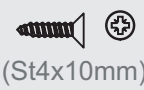
[05]a x 1



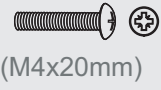
[05]b x 1



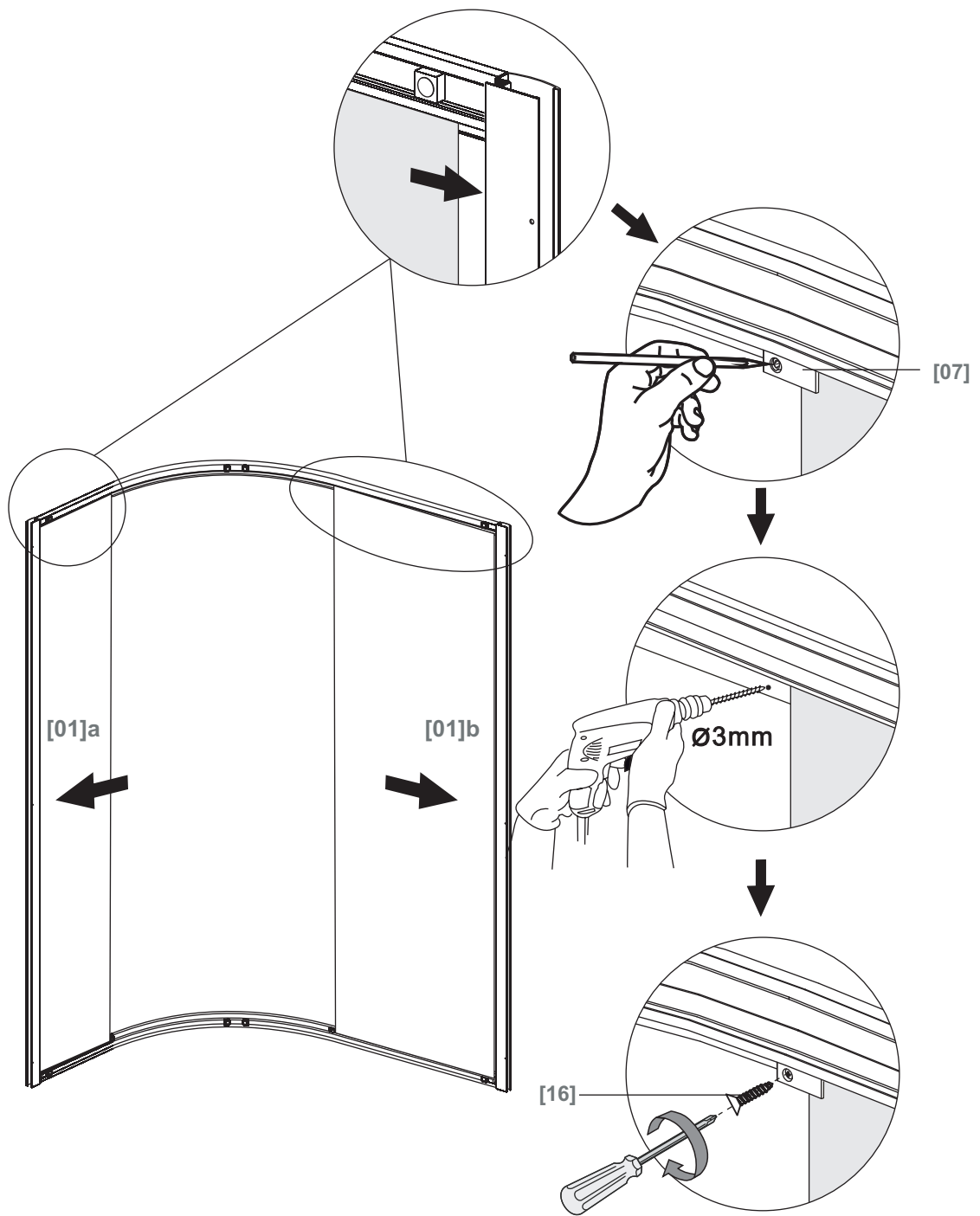
[15] x 8



[16] x 8



[19] x 8



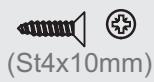
[01]a x 1



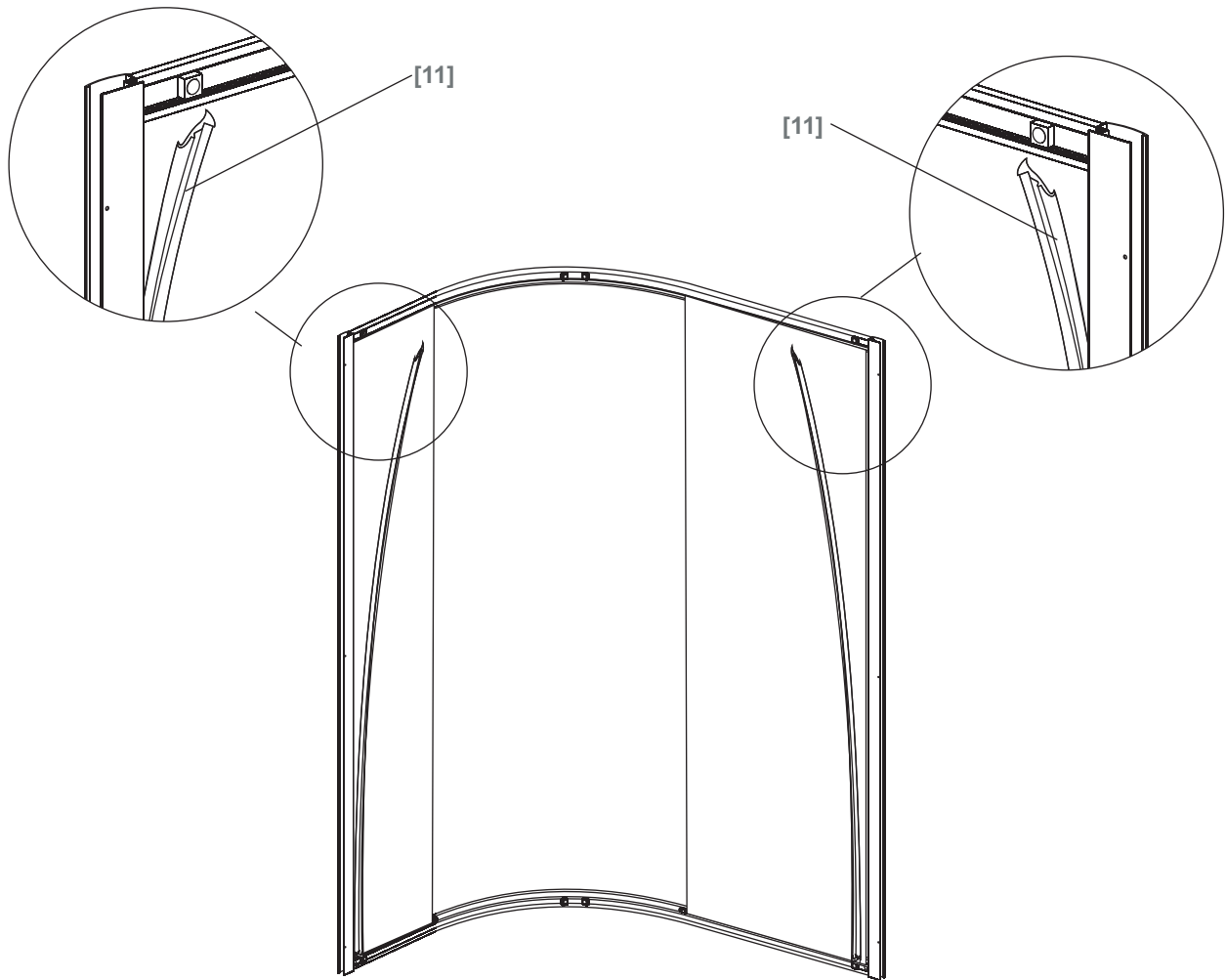
[01]b x 1



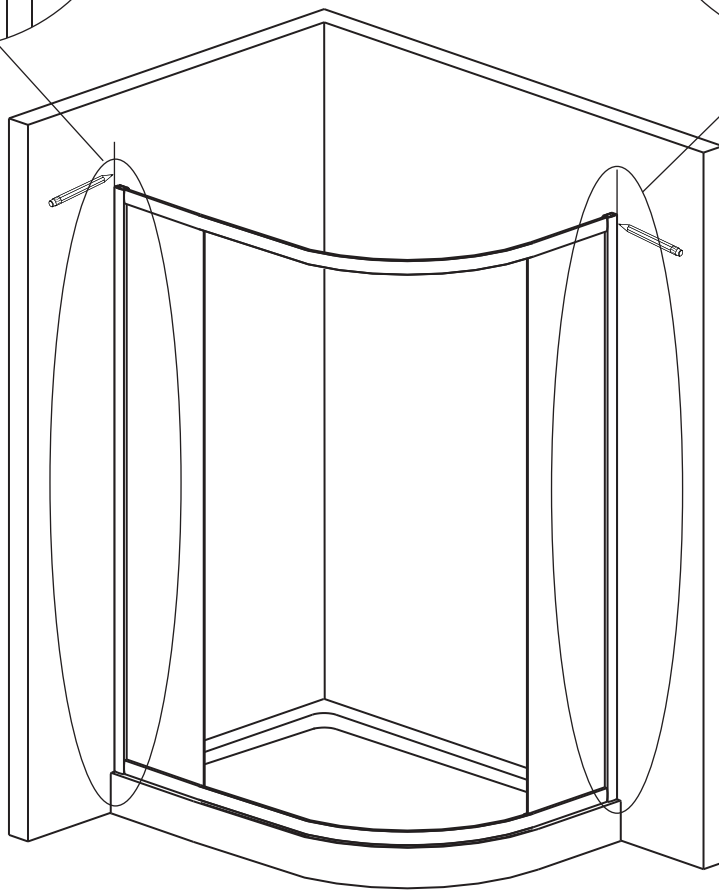
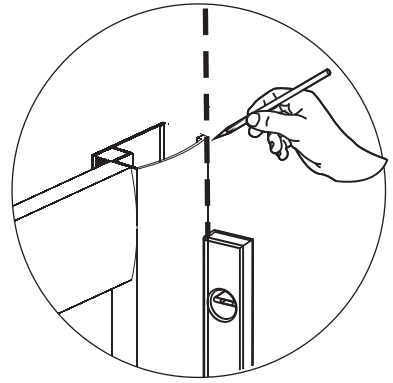
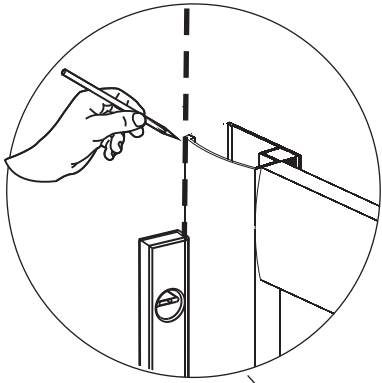
[07] x 4

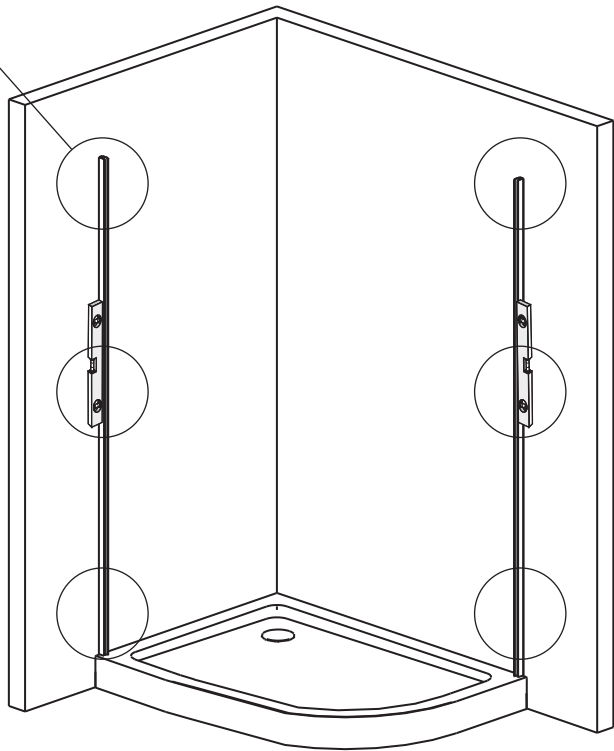
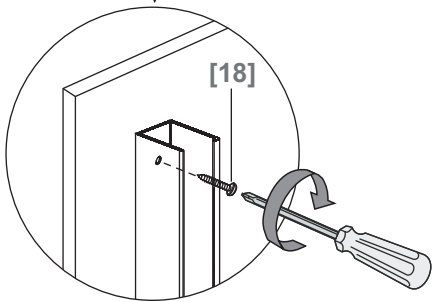
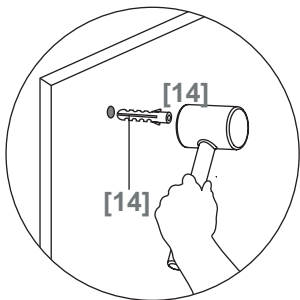
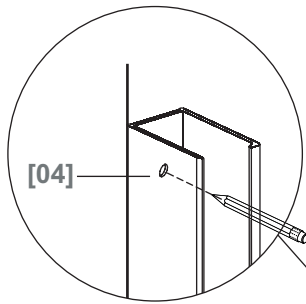


[16] x 4



[11] x 2





[04] x 2

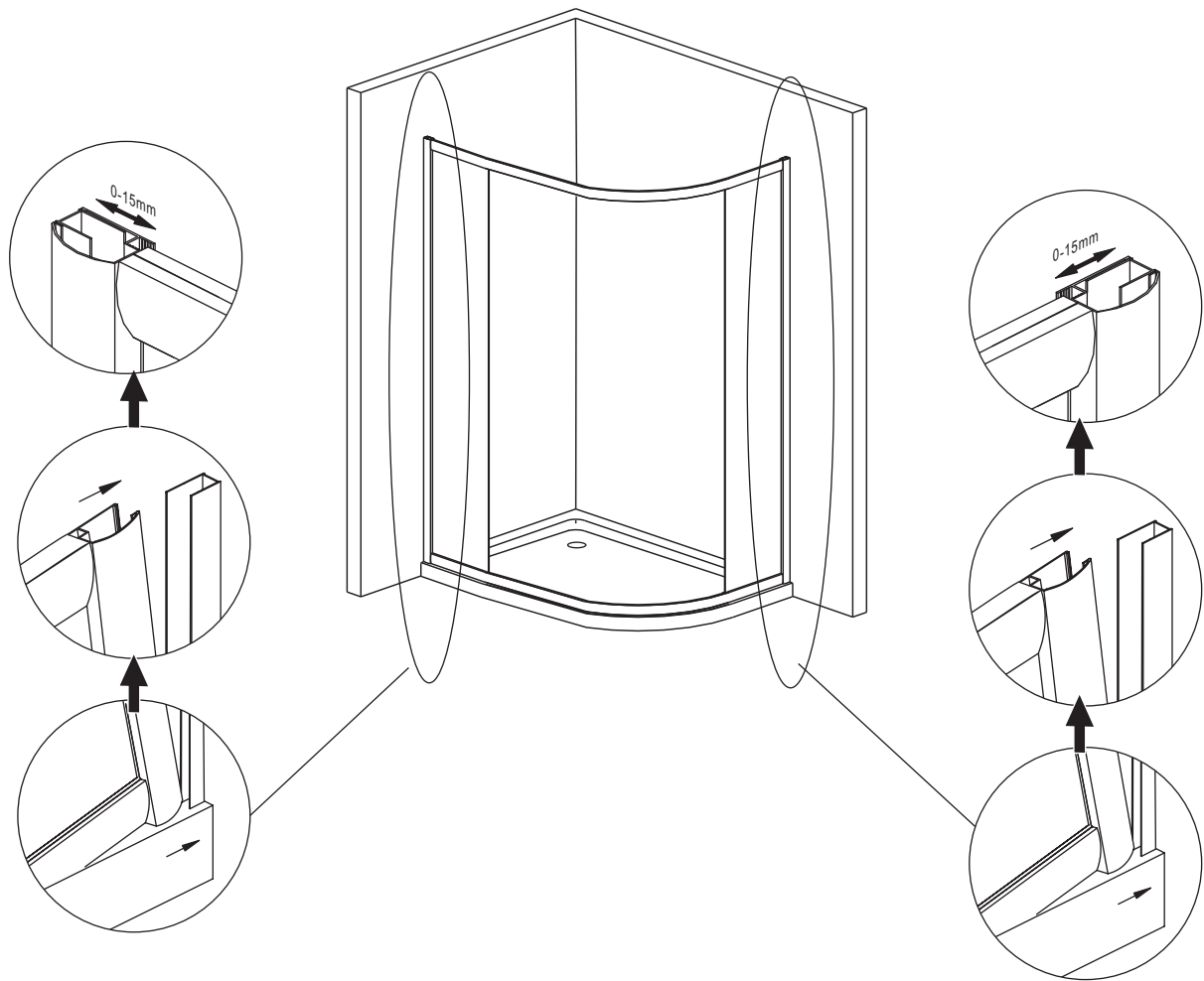


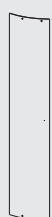
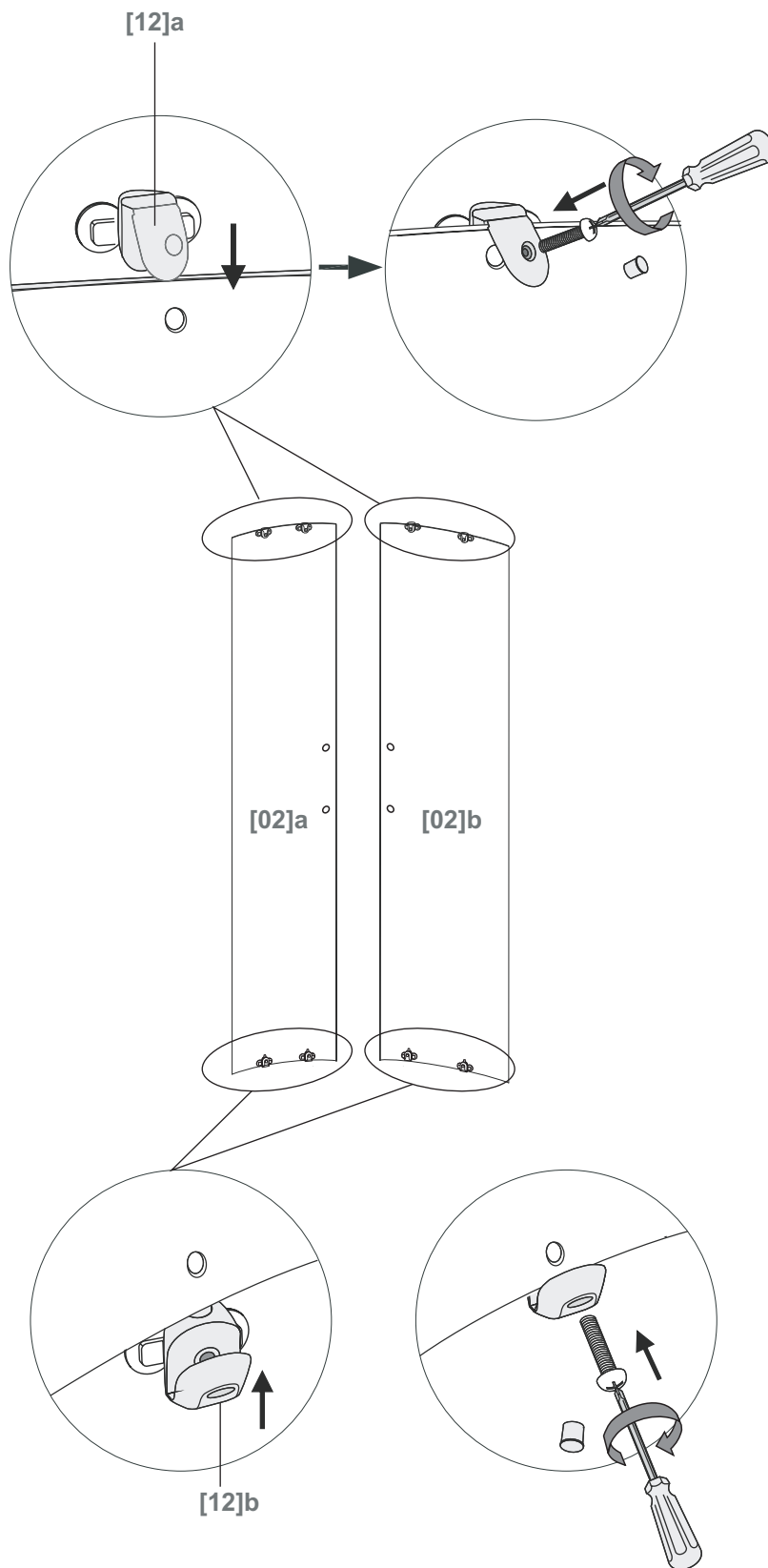
[14] x 6



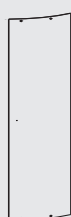
(St4x30mm)

[18] x 6





[02]a x 1



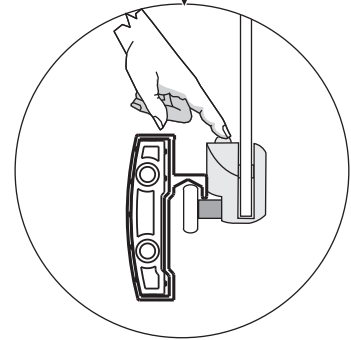
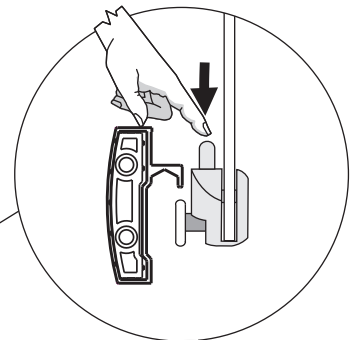
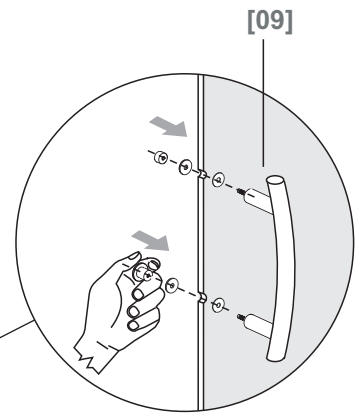
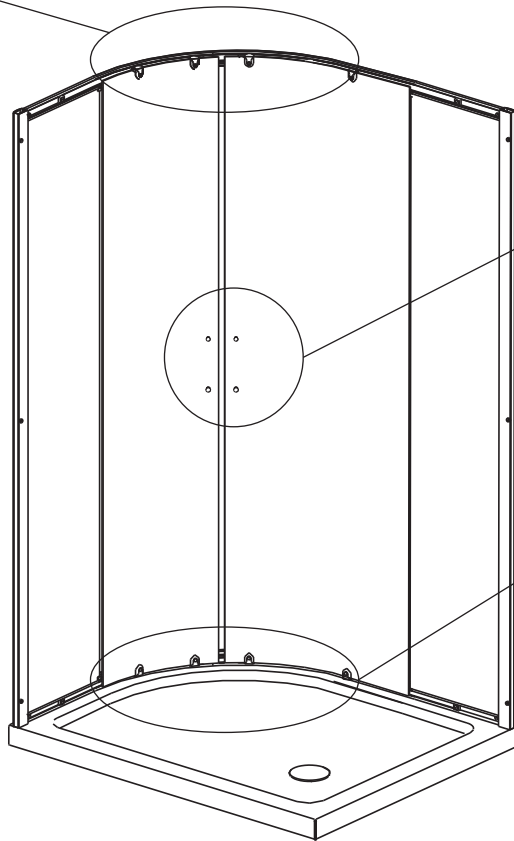
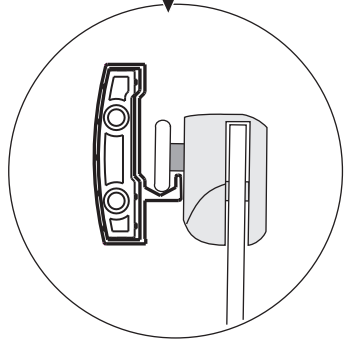
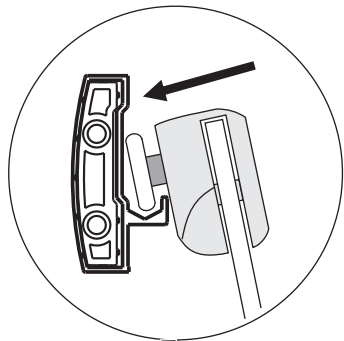
[02]b x 1



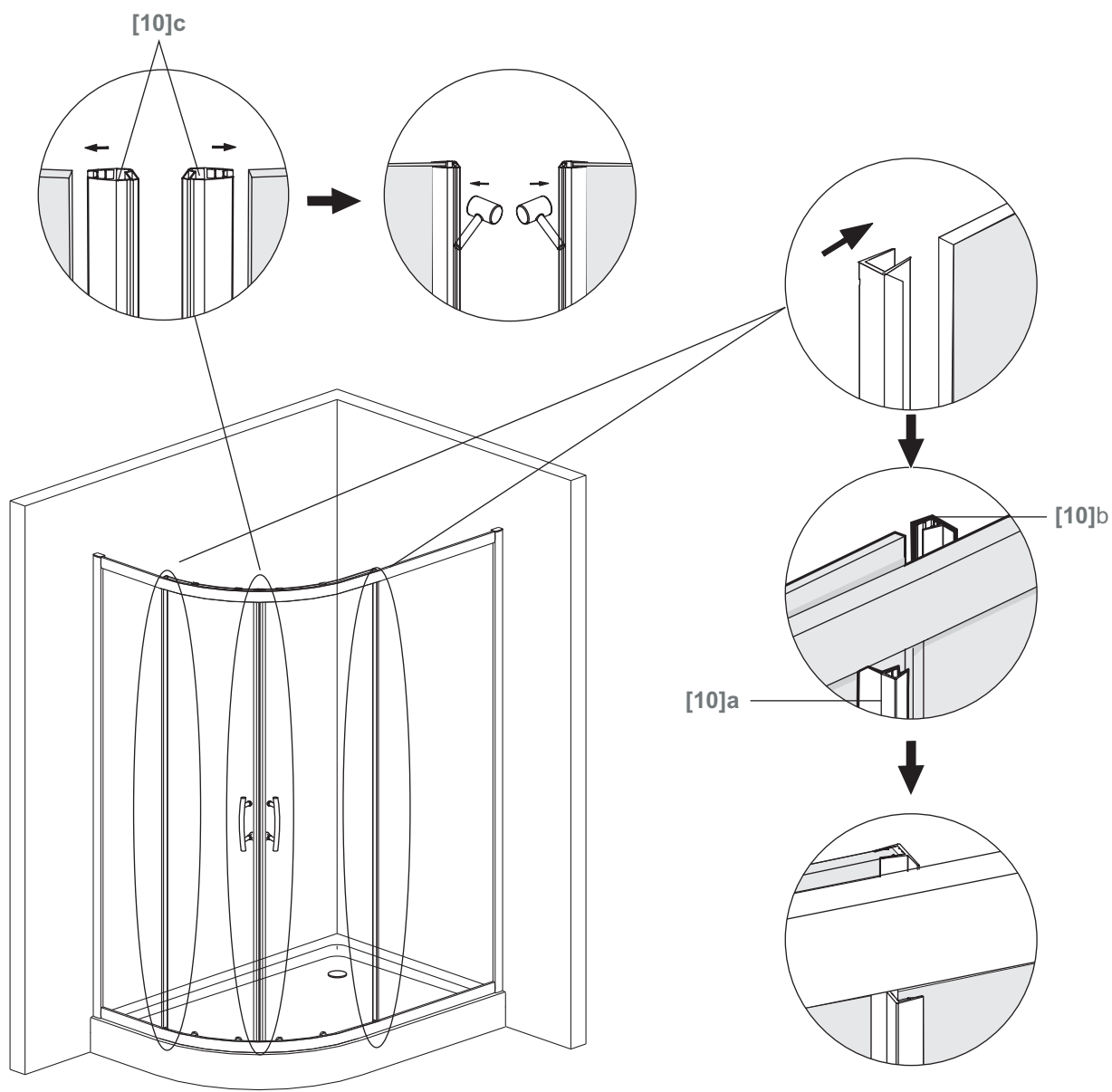
[12]a x 4



[12]b x 4



[09] x 2



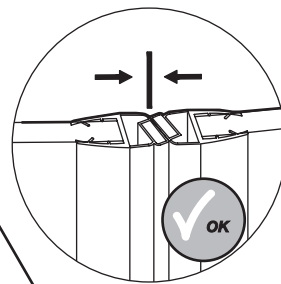
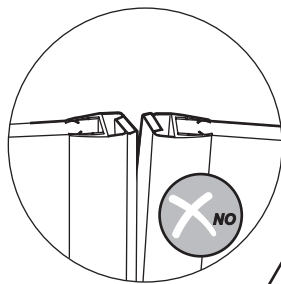
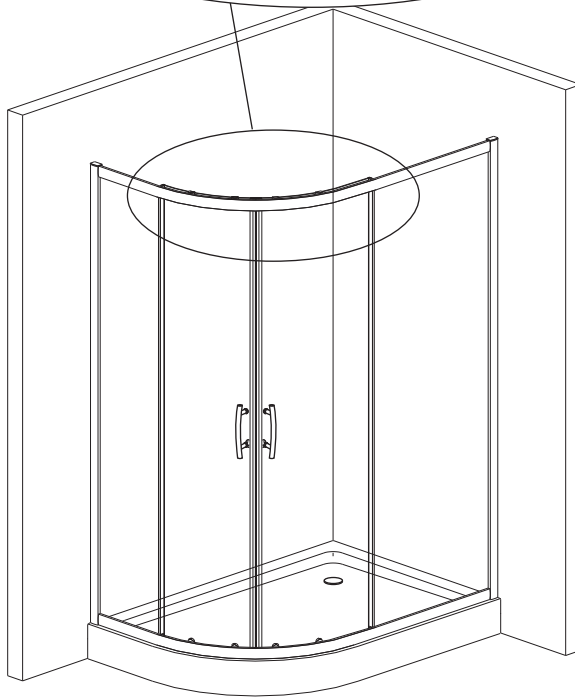
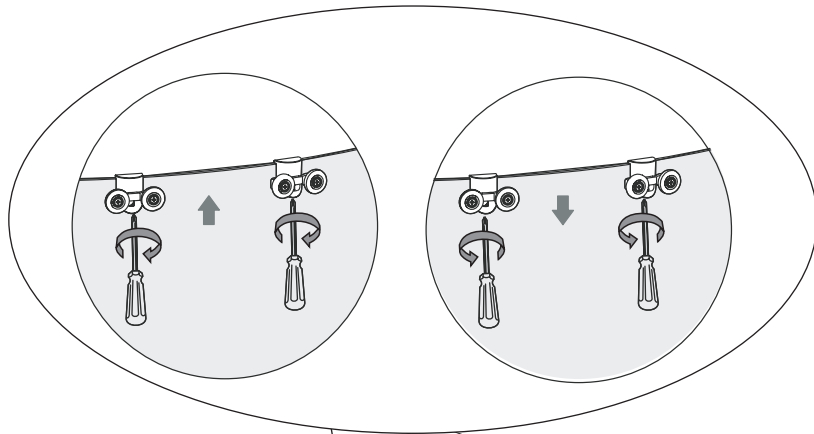
[10]a x 2

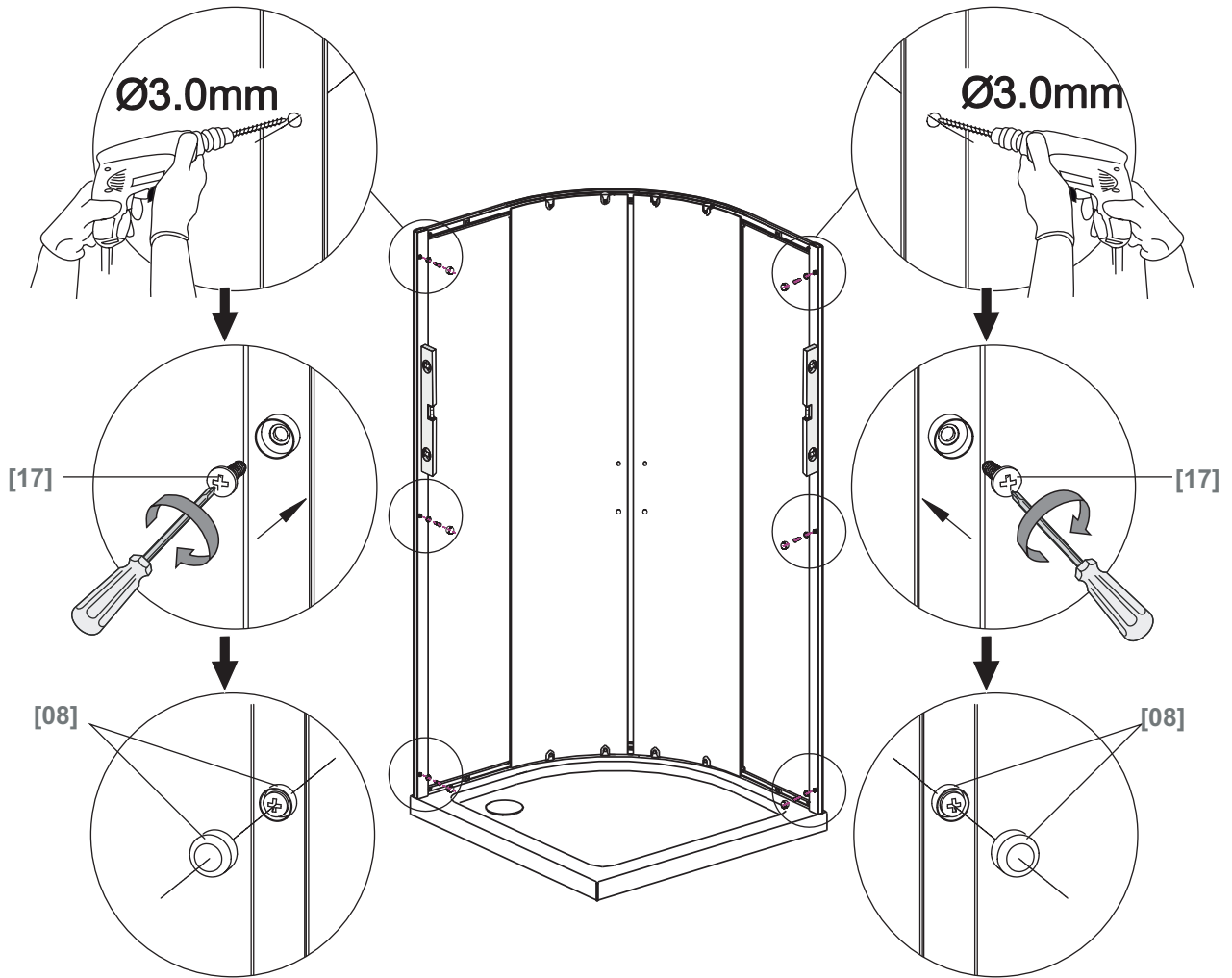


[10]b x 2



[10]c x 2



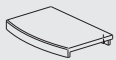
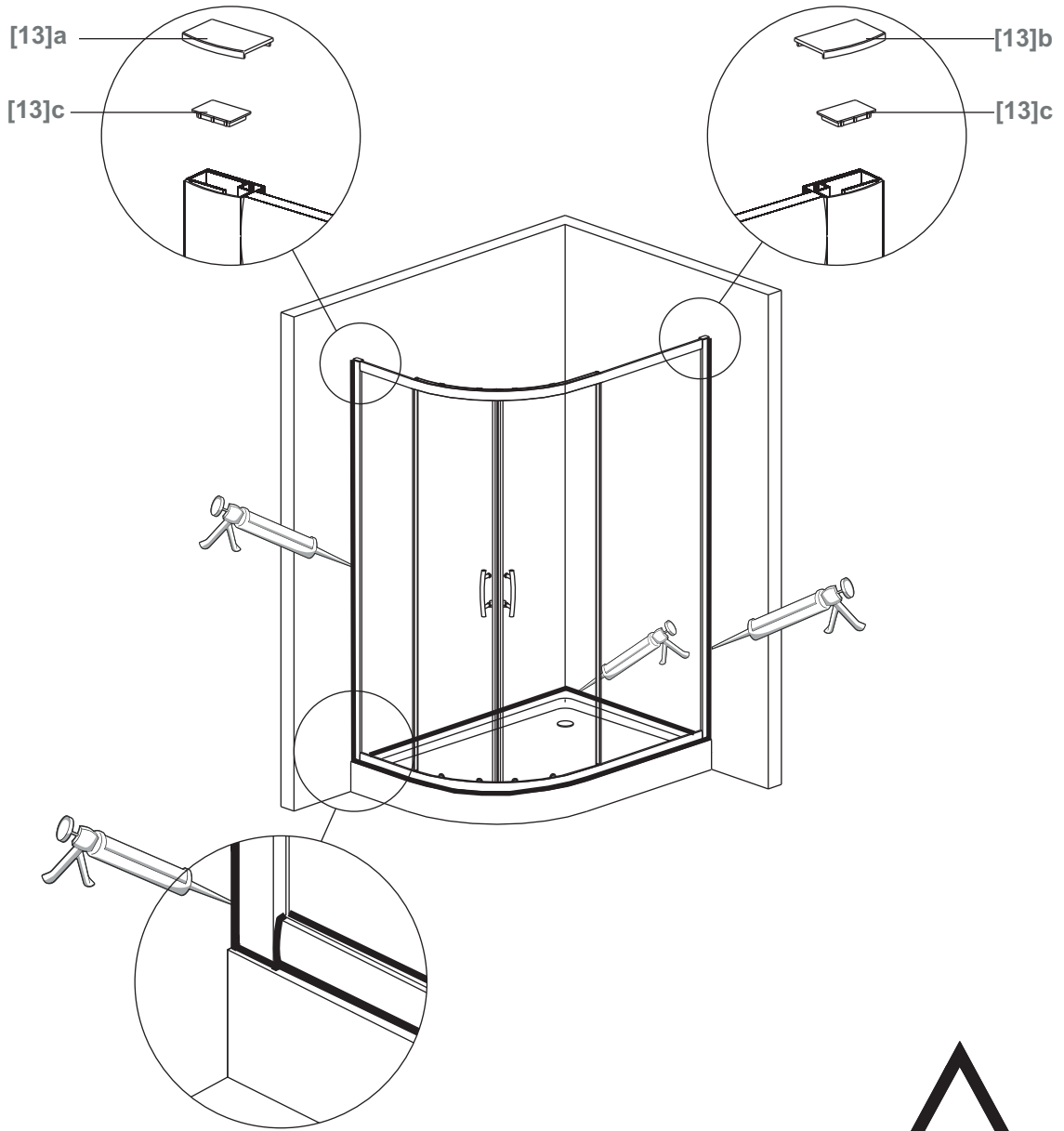


[08] x 6

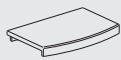


(St4x12mm)

[17] x 6



[13]a x 1



[13]b x 1



[13]c x 2