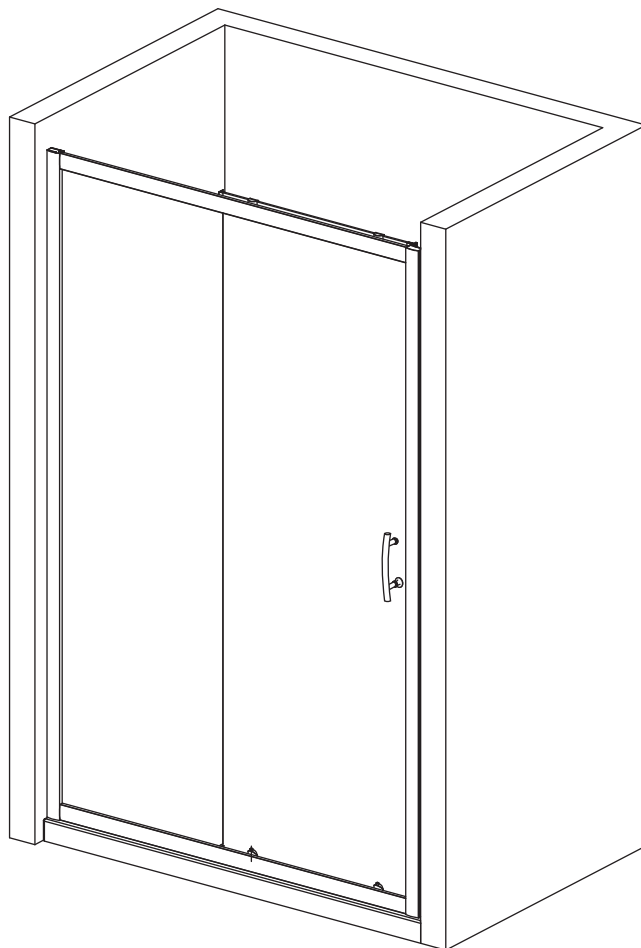


Bandh  urs

**Mike 100D**

**Mike 120D**

**Mike 140D**



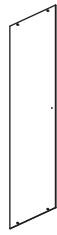
100x190CM

120x190CM

140x190CM



[01] x 1



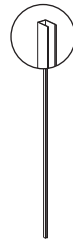
[02] x 1



[03]a x 1



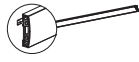
[03]b x 1



[04] x 2



[05]a x 1



[05]b x 1



[06] x 3



[07] x 2



[08] x 6



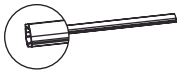
[09] x 1



[10]a x 1



[10]b x 1



[10]c x 1



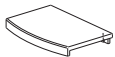
[11] x 1



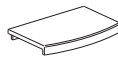
[12]a x 2



[12]b x 2



[13]a x 1



[13]b x 1



[13]c x 2



[14] x 6



[15] x 2



(St4x10mm)

[16] x 4



(St4x12mm)

[17] x 10



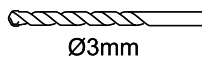
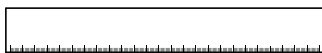
(St4x30mm)

[18] x 6



(M4x20mm)

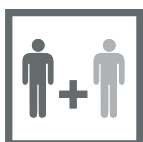
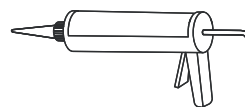
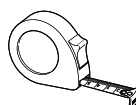
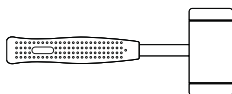
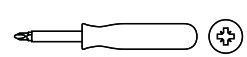
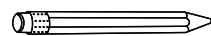
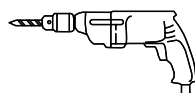
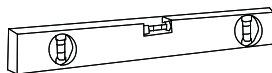
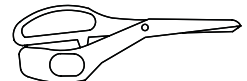
[19] x 8



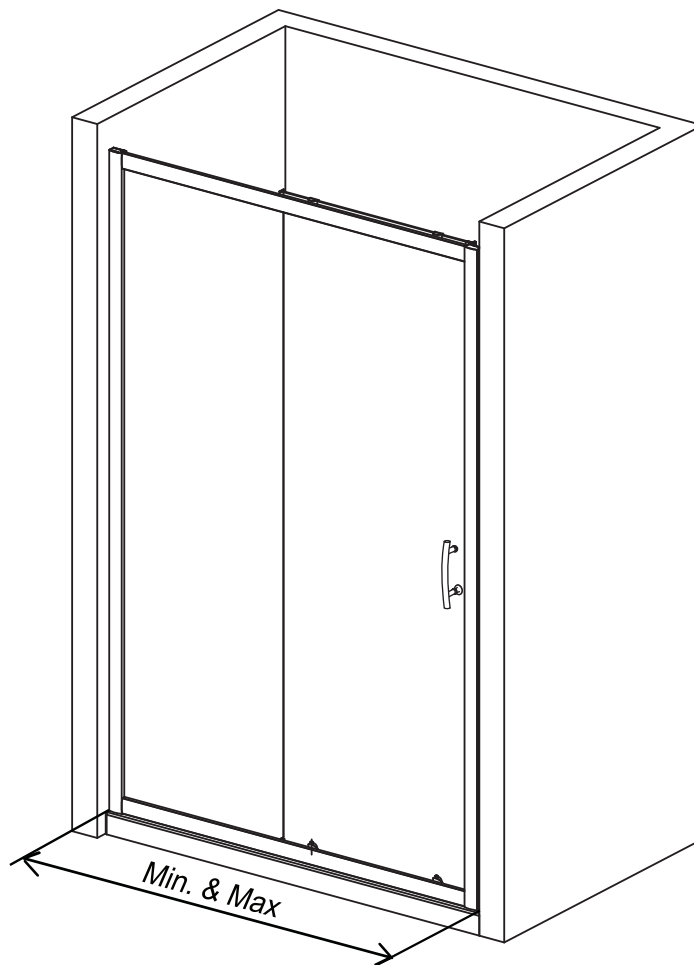
Ø3mm

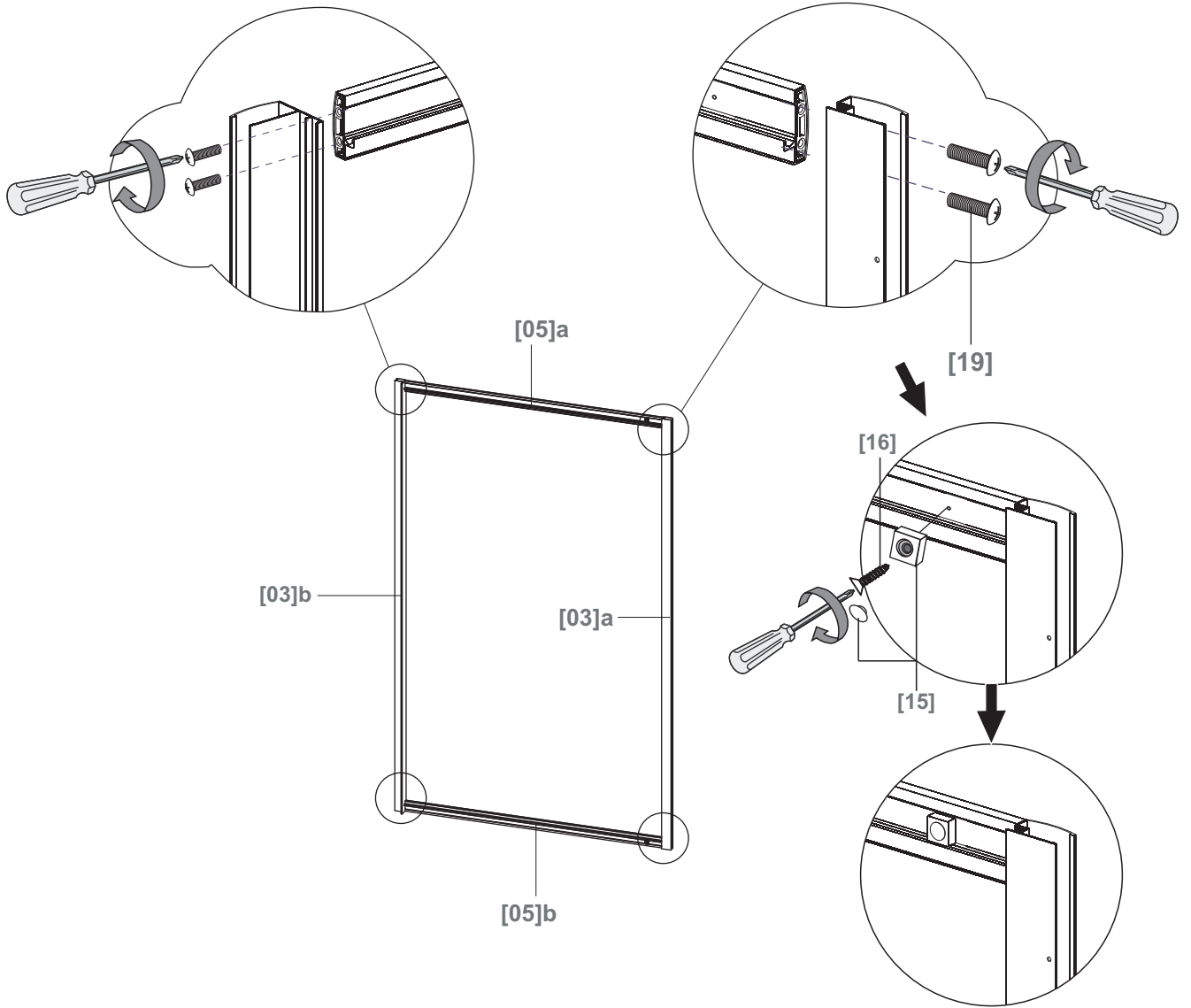


Ø6mm



	Min. & Max
Mike 100D	985--1025mm
Mike 120D	1185--1225mm
Mike 140D	1385--1425mm





[05]a x 1



[05]b x 1



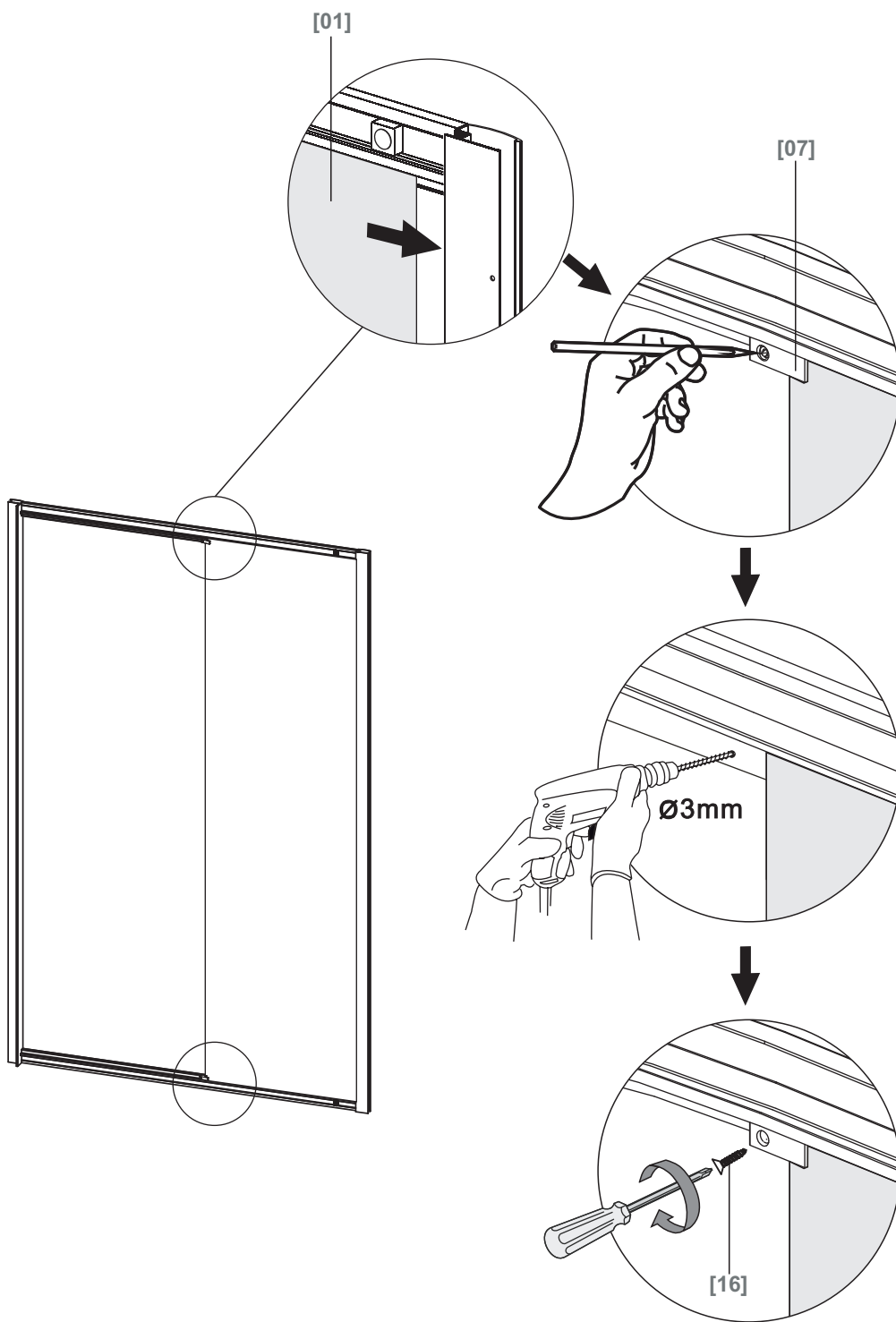
[15] x 2



[16] x 2



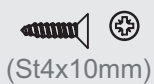
[19] x 8



[01] x 1

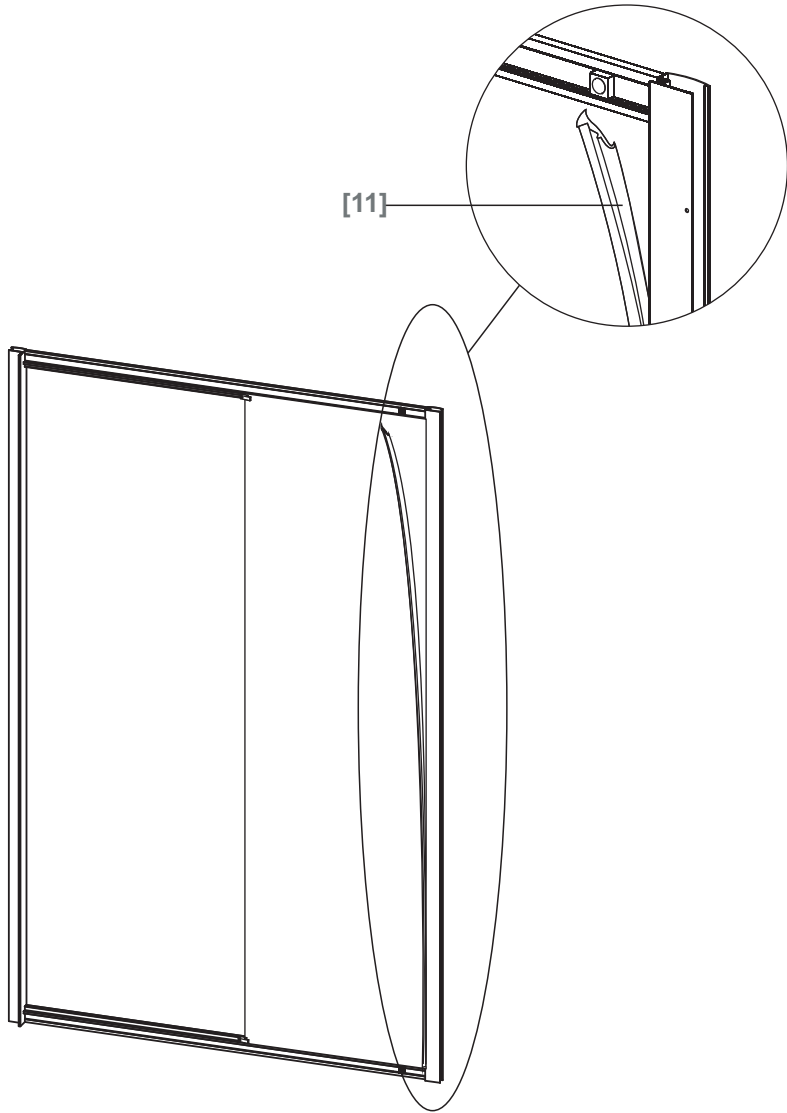


[07] x 2

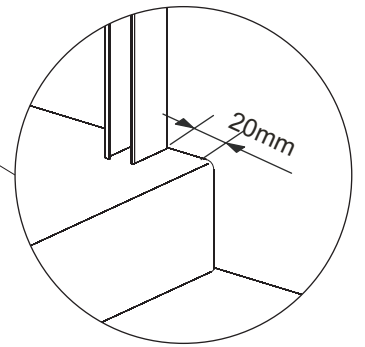
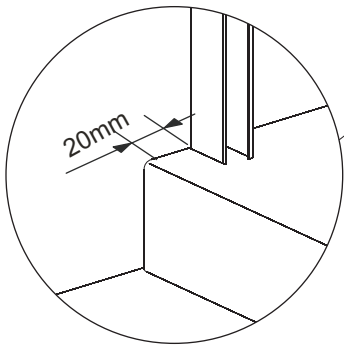
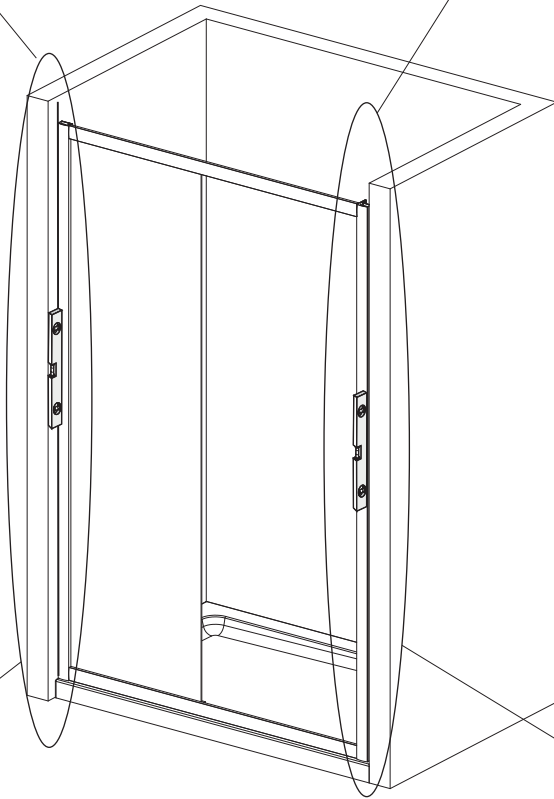
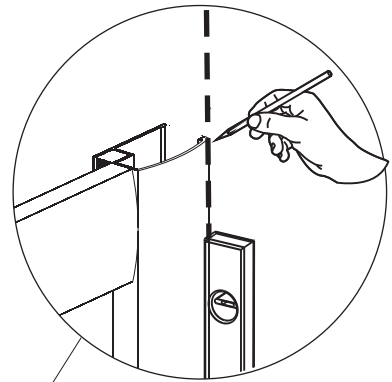
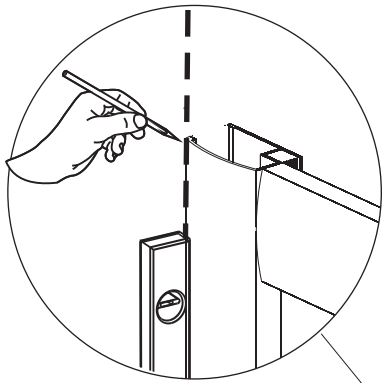


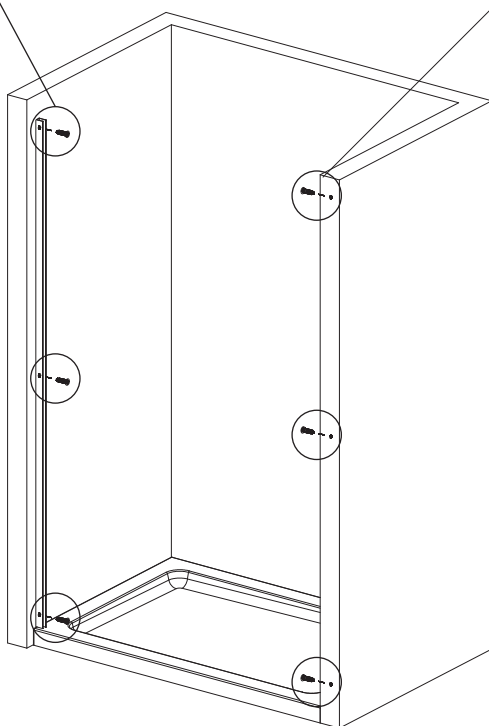
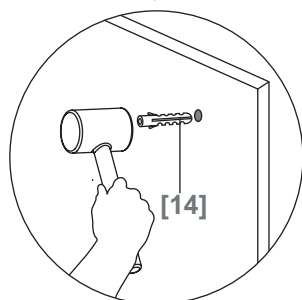
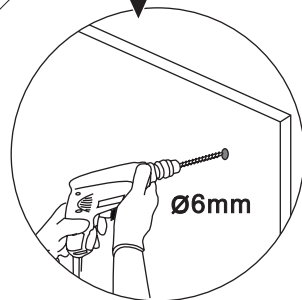
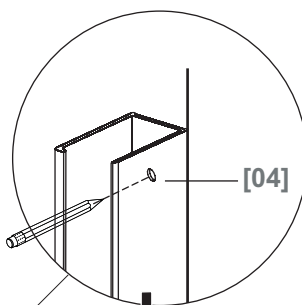
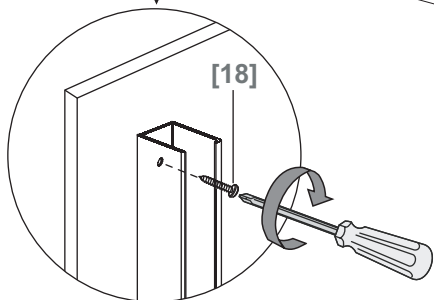
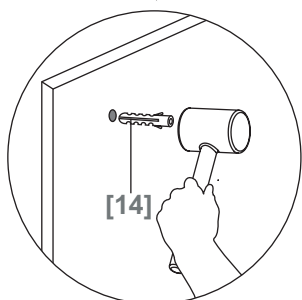
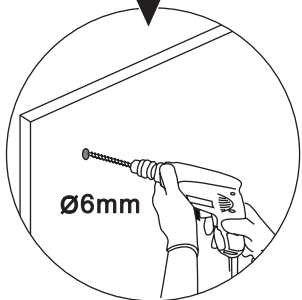
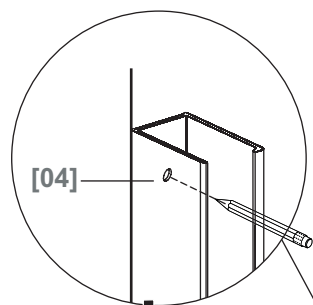
(St4x10mm)

[16] x 2



[11] x1





[04] x 2



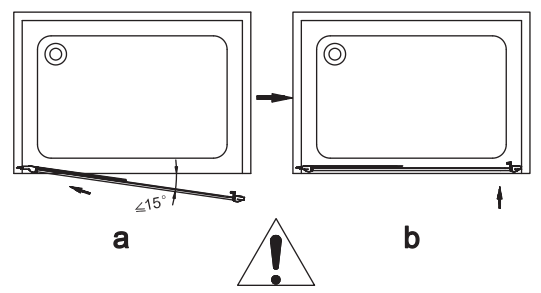
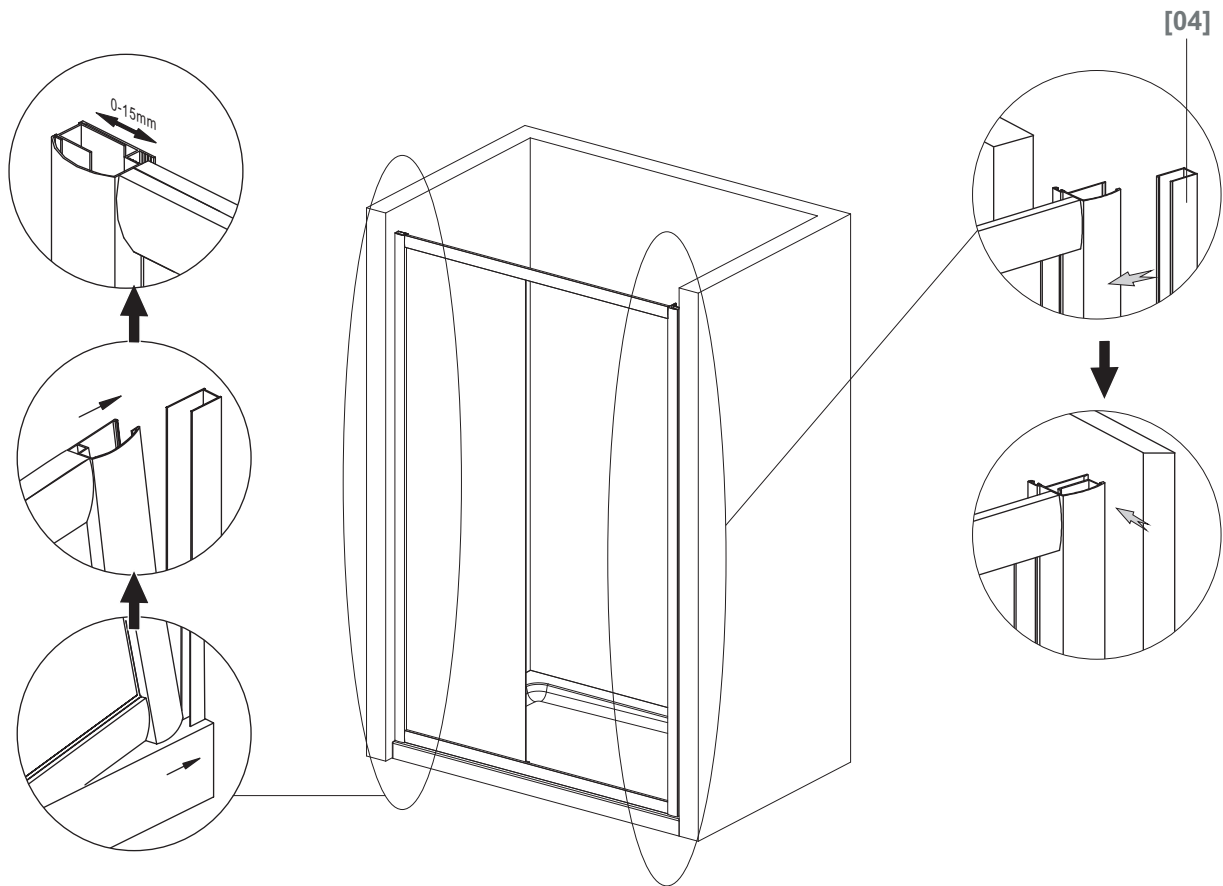
[14] x 6

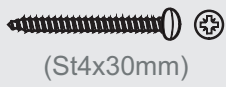
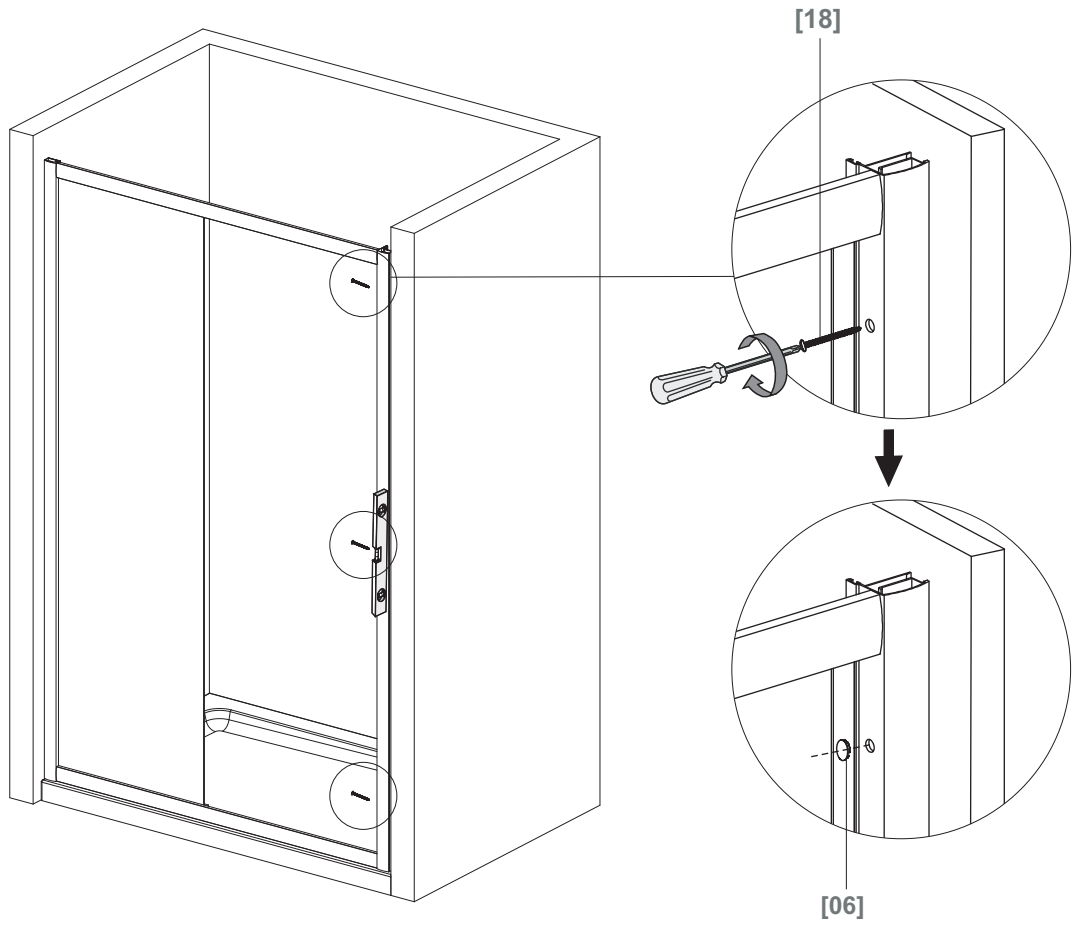


(St4x30mm)

[18] x 3



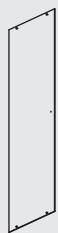
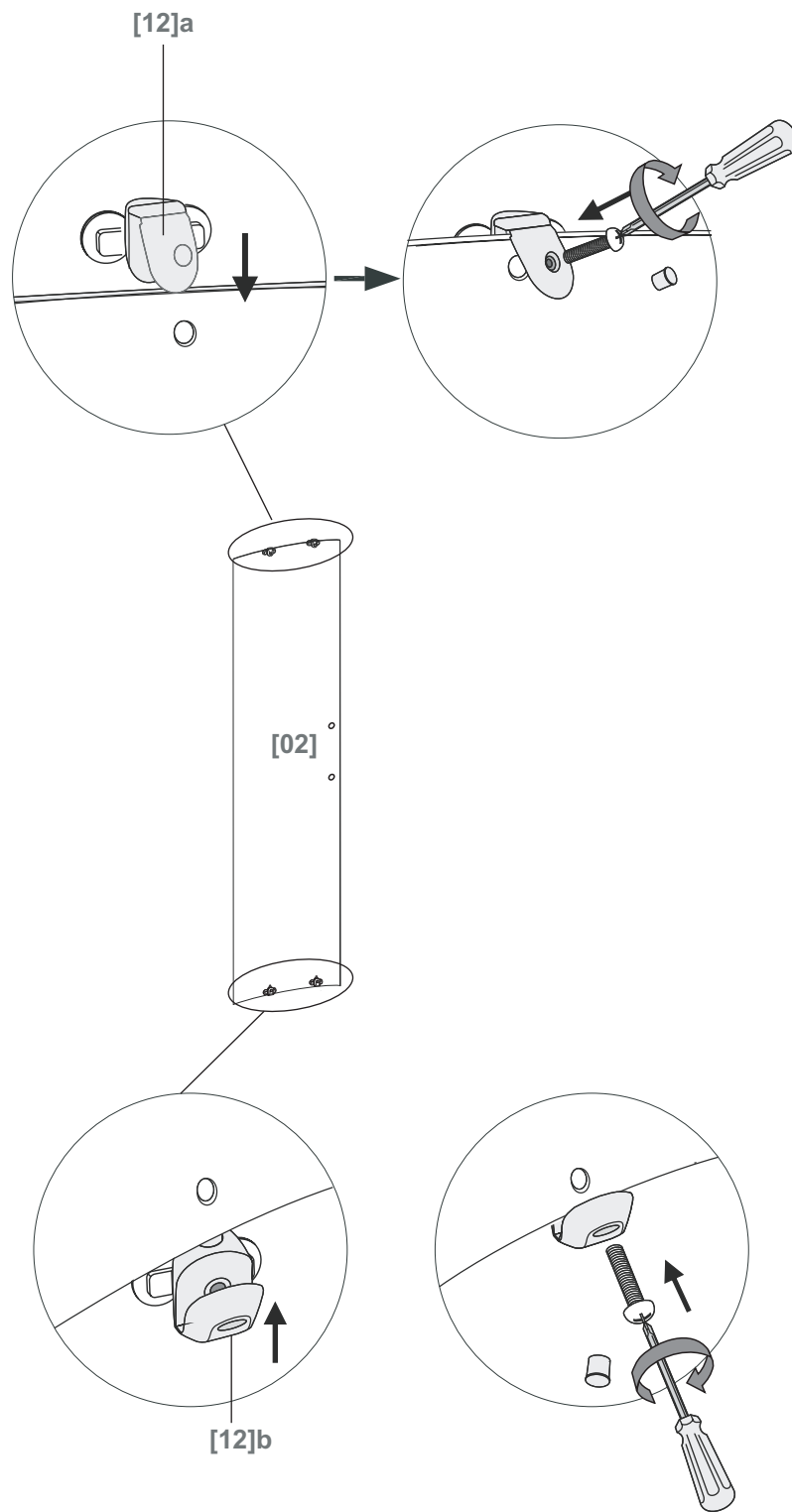




[18] x 3



[06] x 3



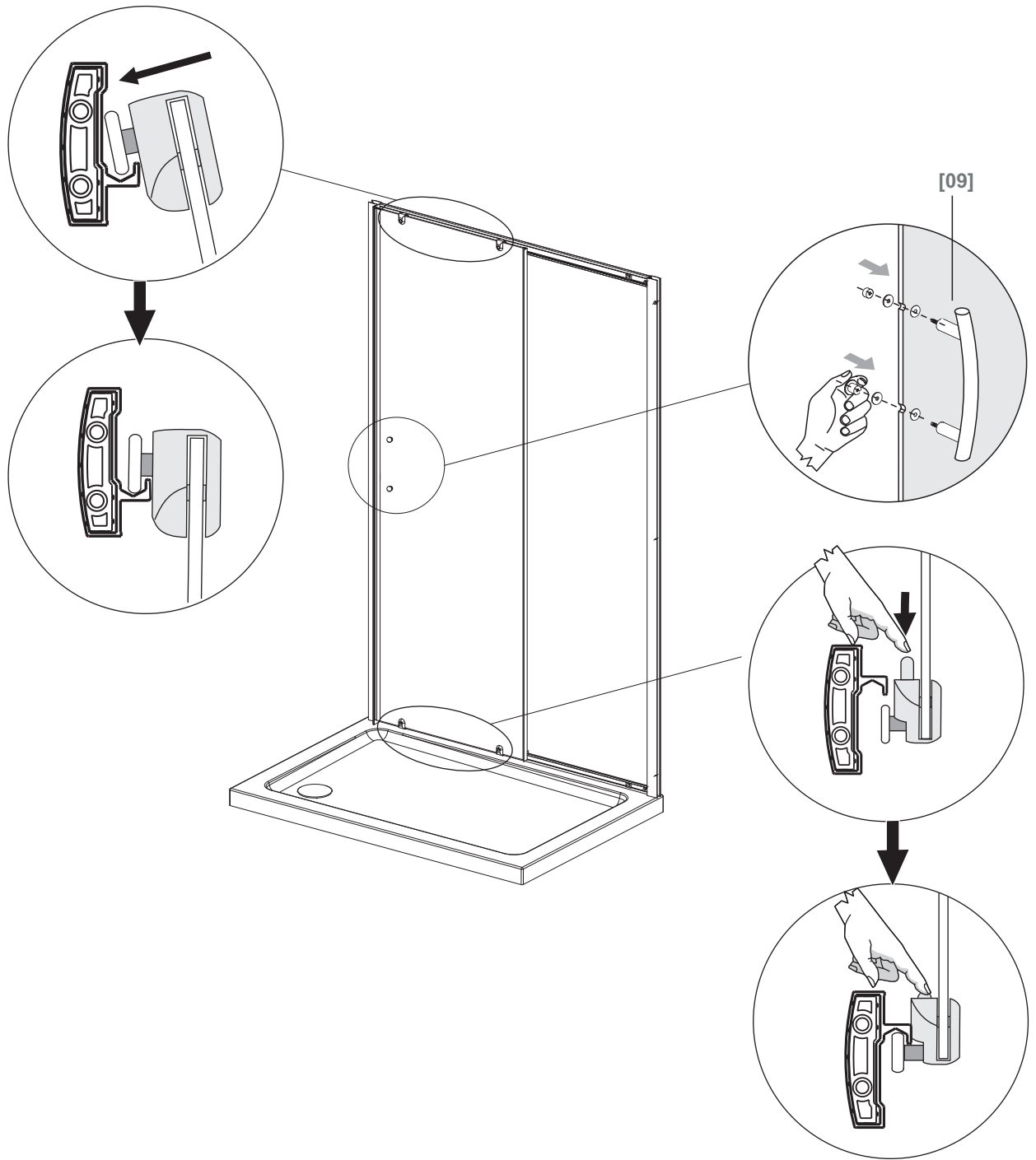
[02] x 1



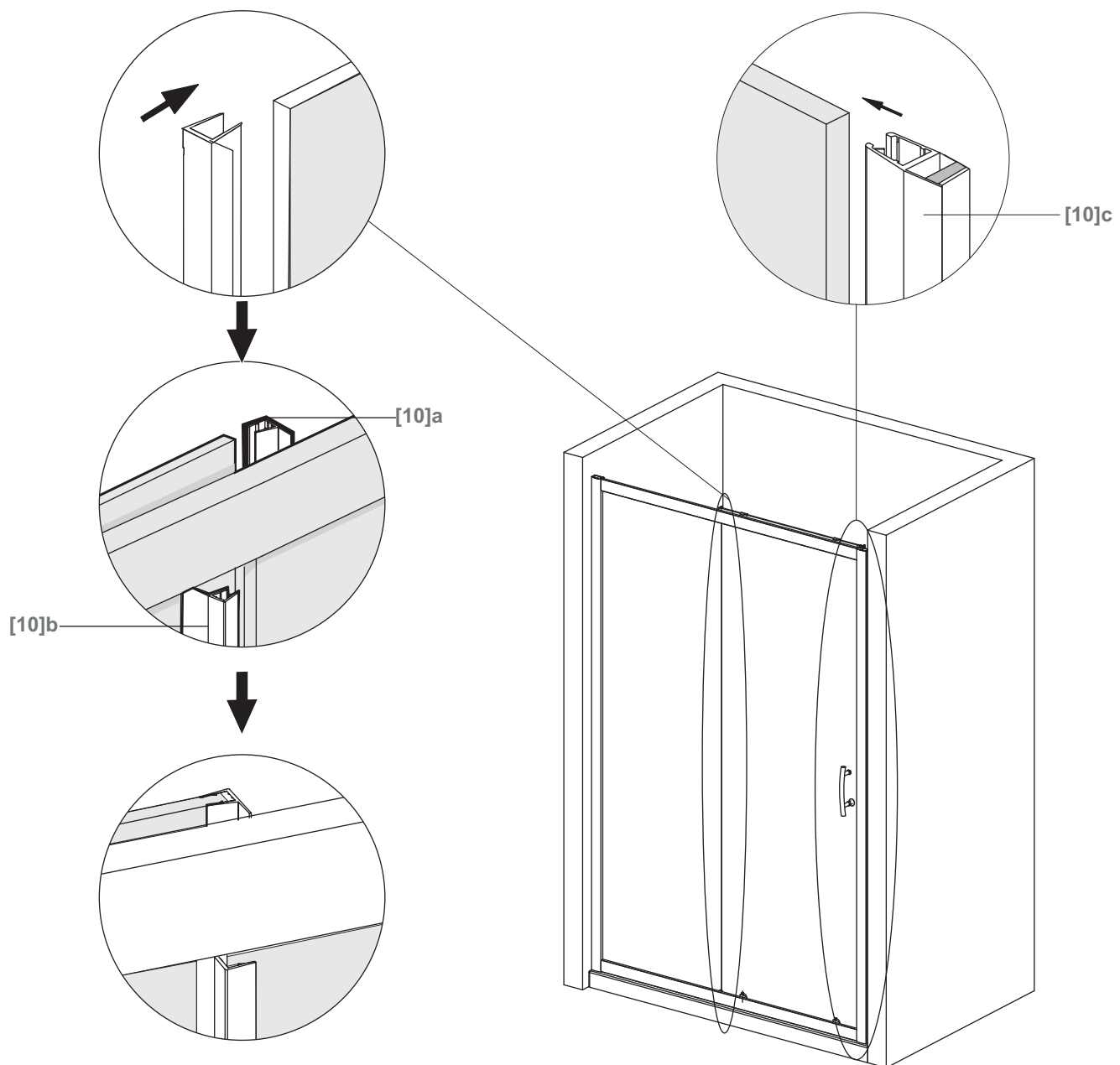
[12]a x 2



[12]b x 2



[09] x 1



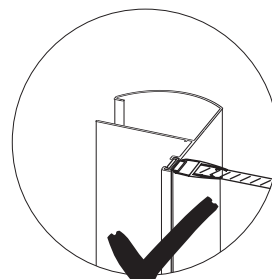
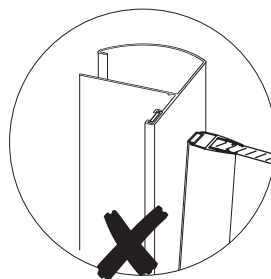
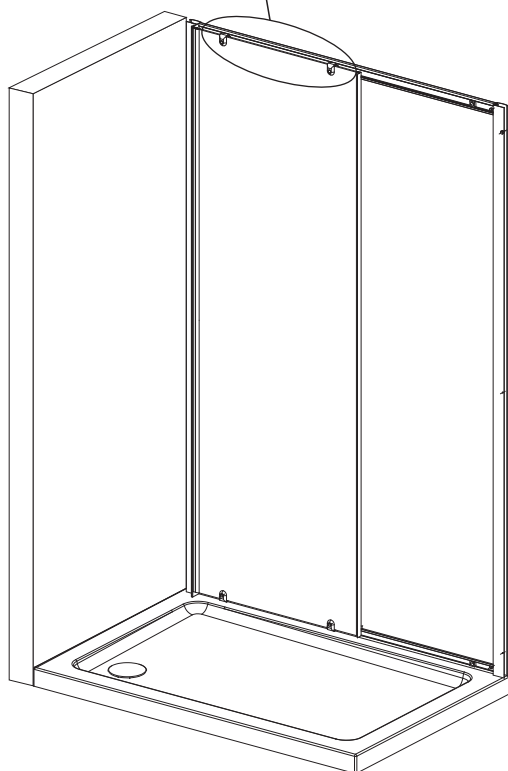
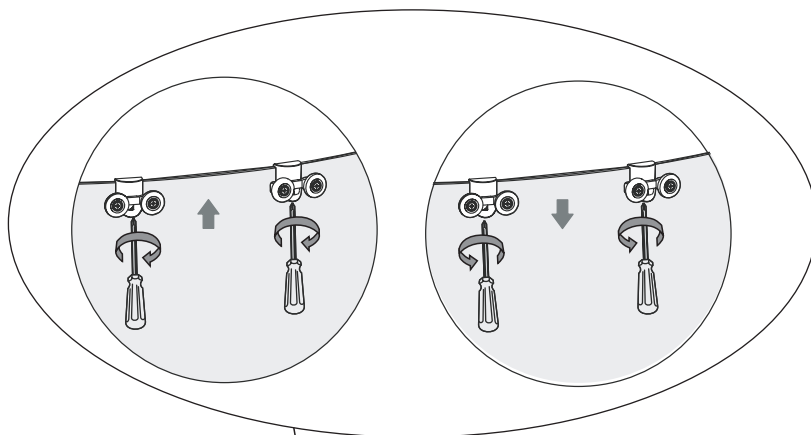
[10]a x 1

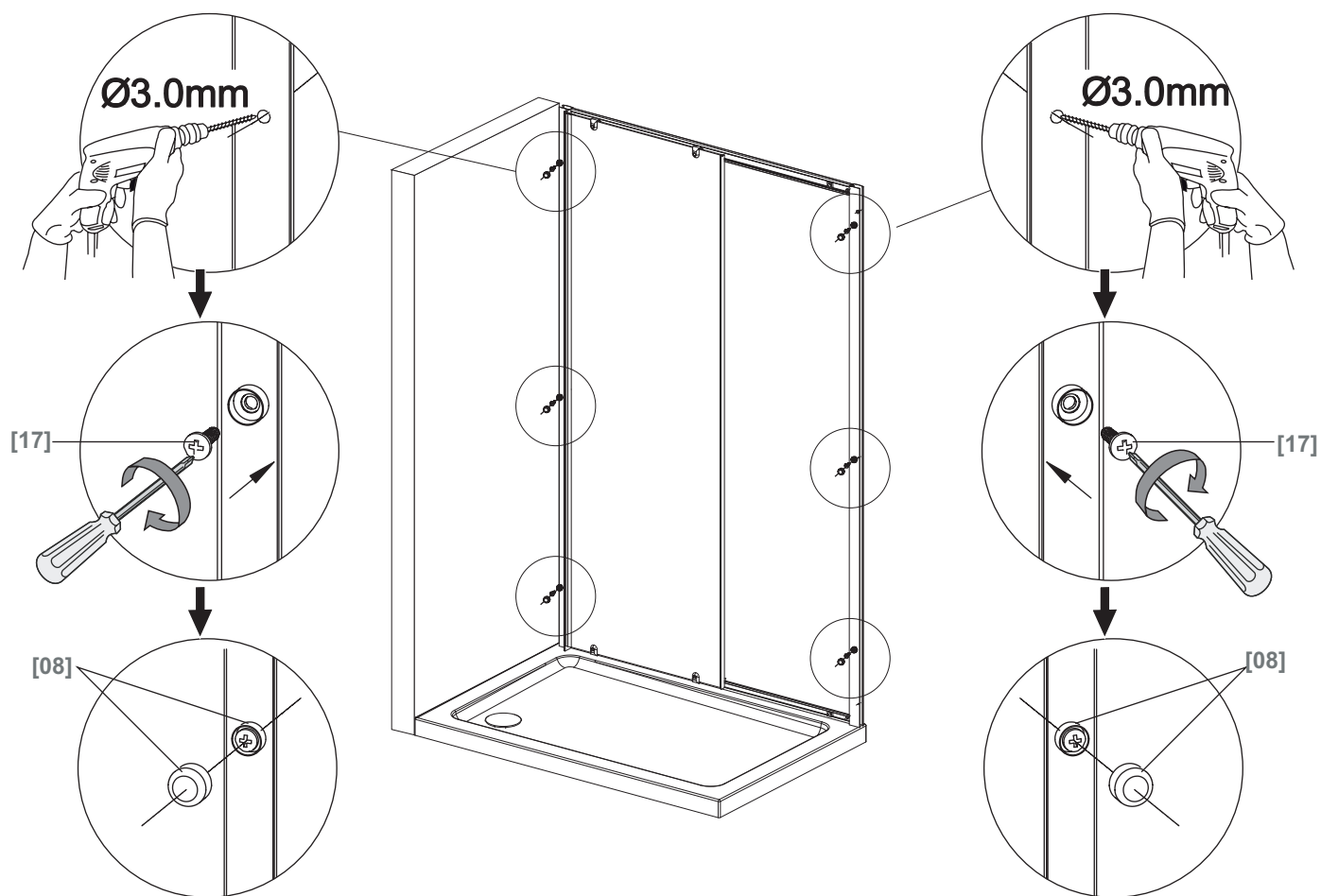


[10]b x 1

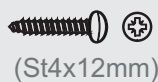


[10]c x 1



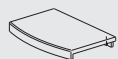
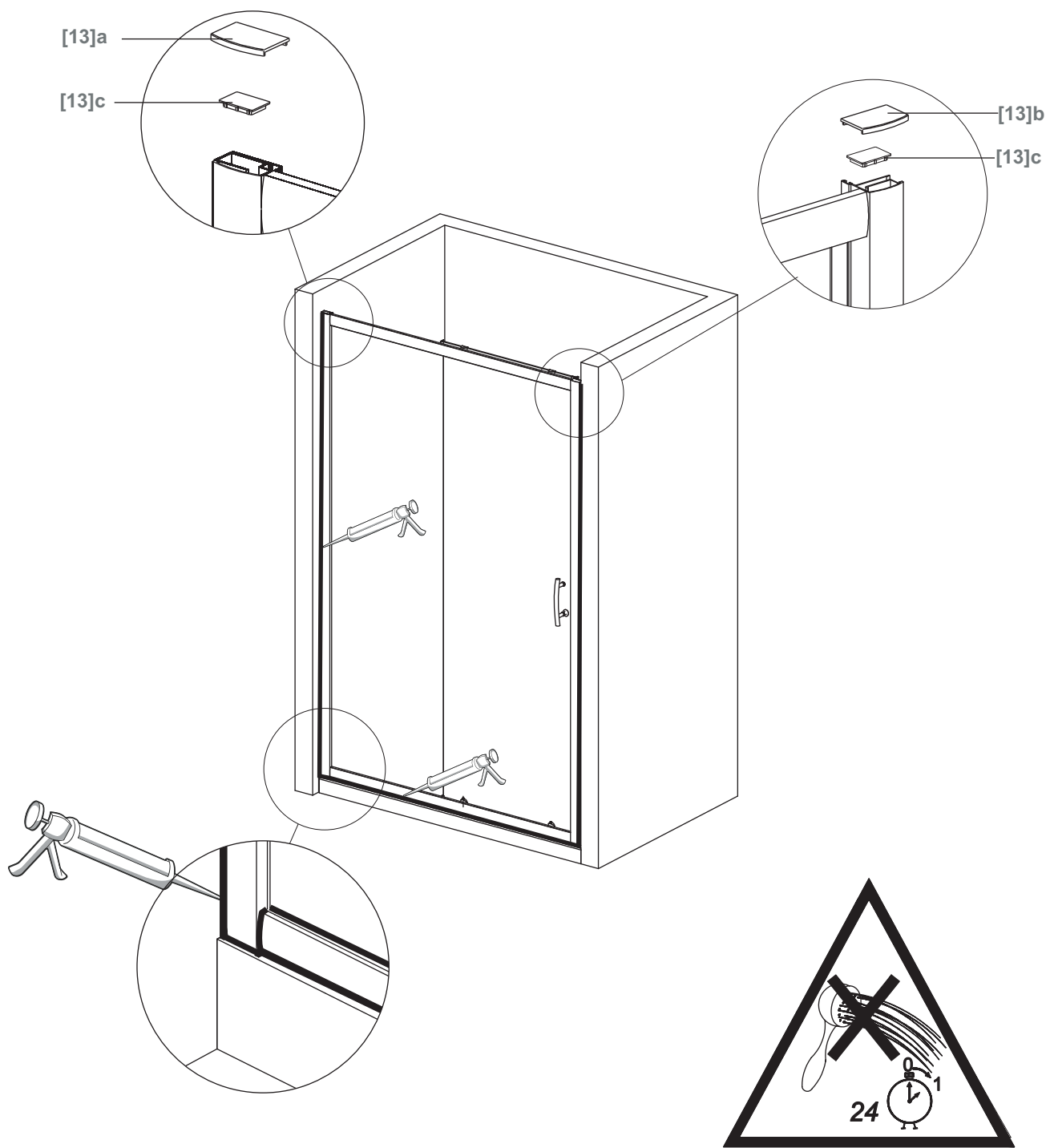


[08] x 6



(St4x12mm)

[17] x 6



[13]a x 1



[13]b x 1



[13]c x 2