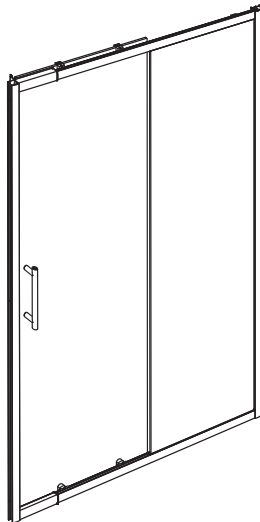


Bandhours

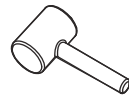
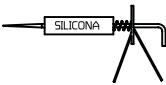
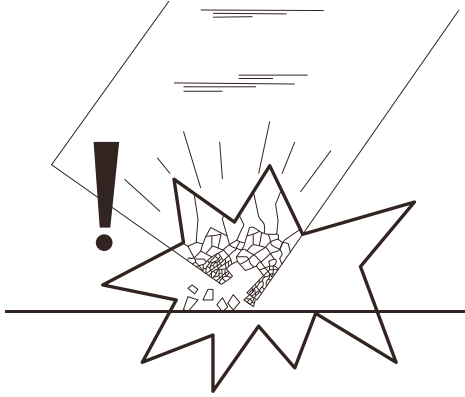
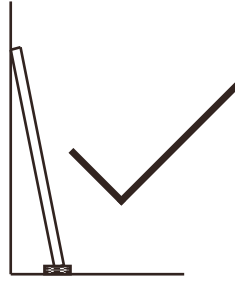
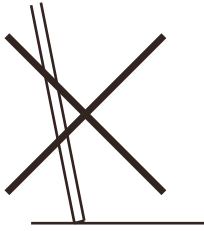
LOFT120/135D

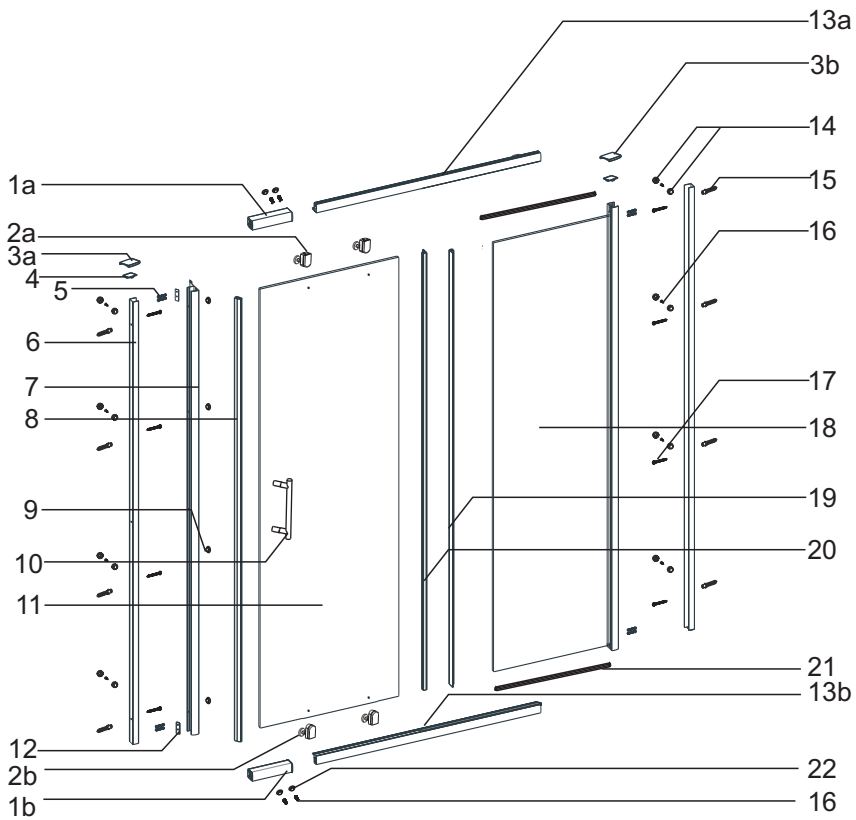
LOFT135/150D

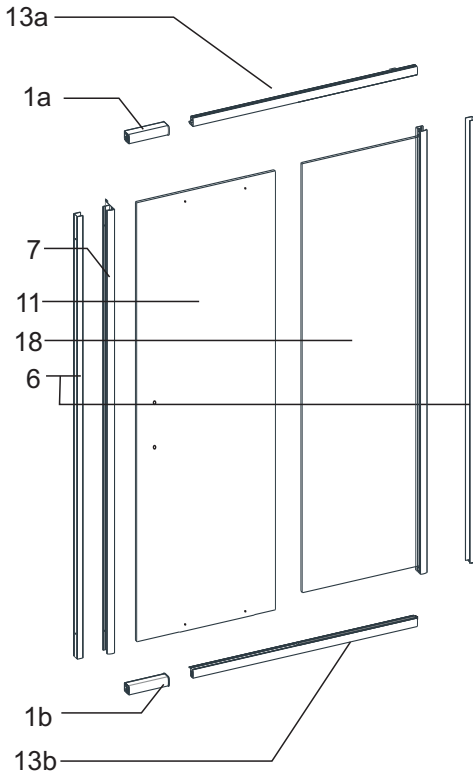



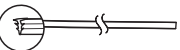

LOFT (120-135)x185CM







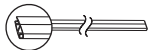

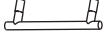





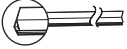
LOFT (135-150)x185CM



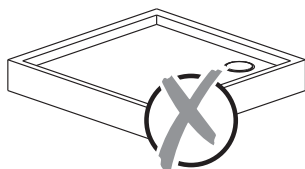
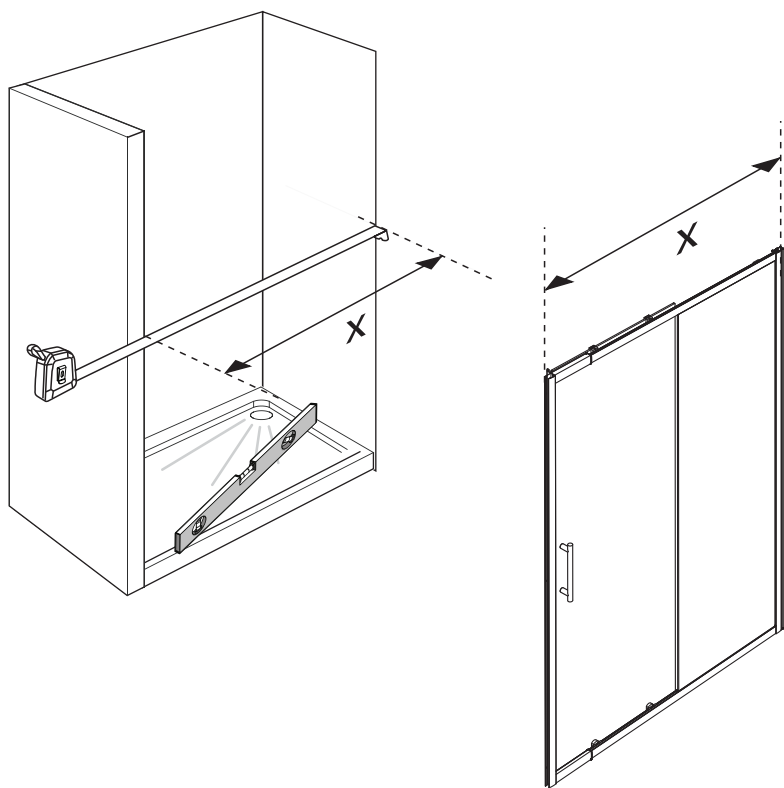


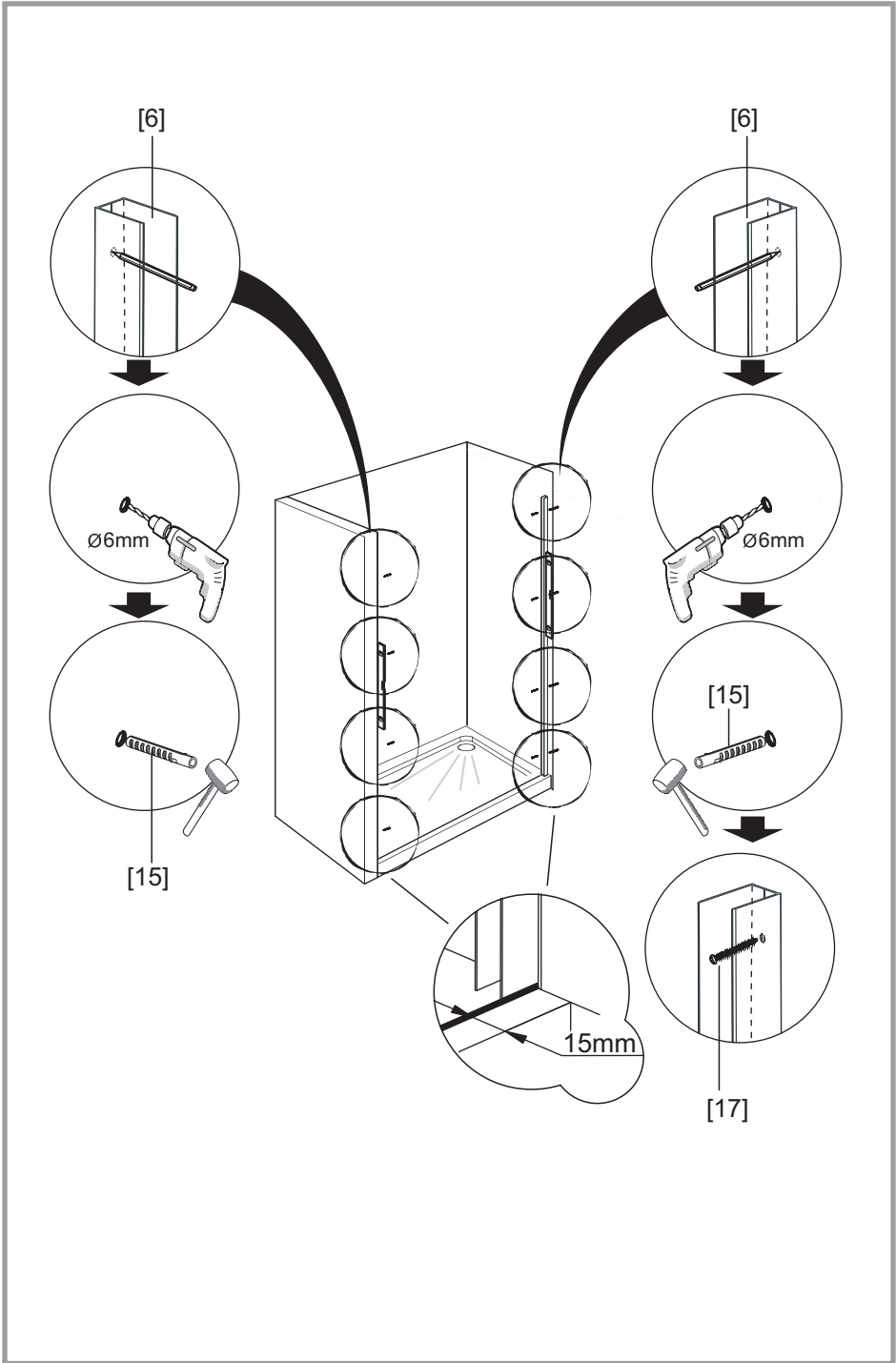


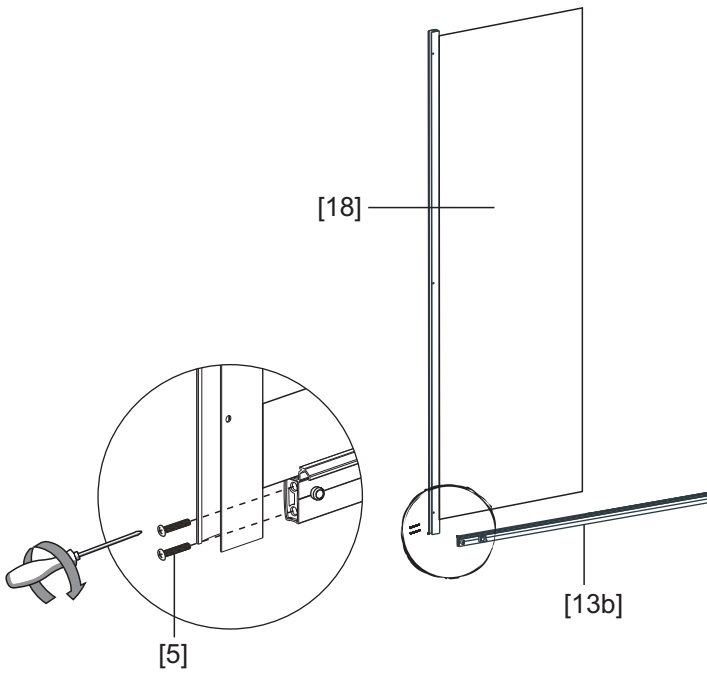
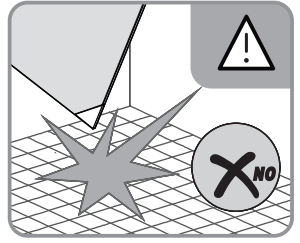
20		X1
21		X1
22		X4

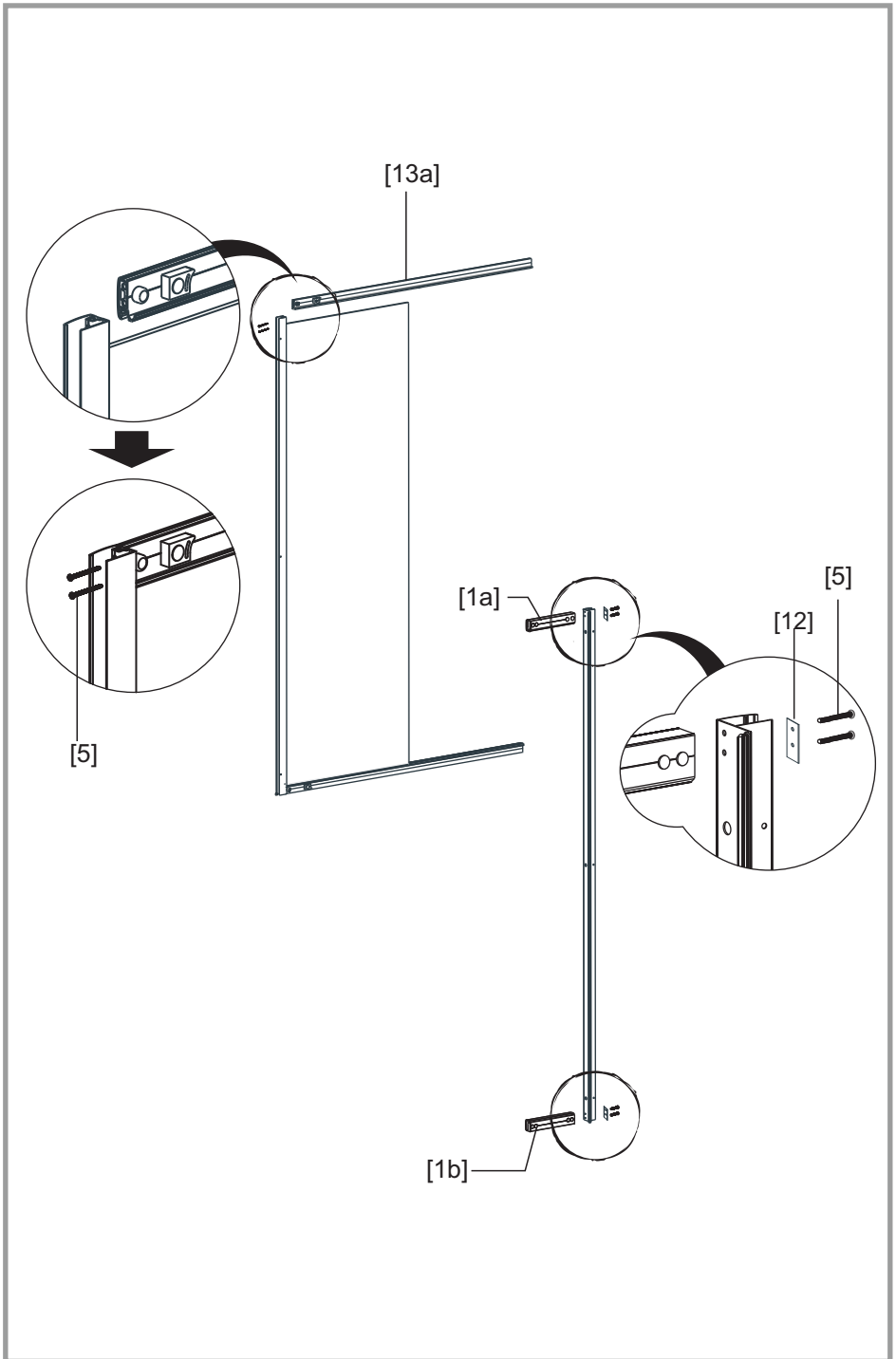
2a		X2
2b		X2
3a		X1
3b		X1
4		X2
5	 M4X30mm	X8
8		X1
9		X4
10		X1
12		X2
14		X8
15		X8
16	 ST4X10mm	X12
17	 ST4X30mm	X8
19		X1

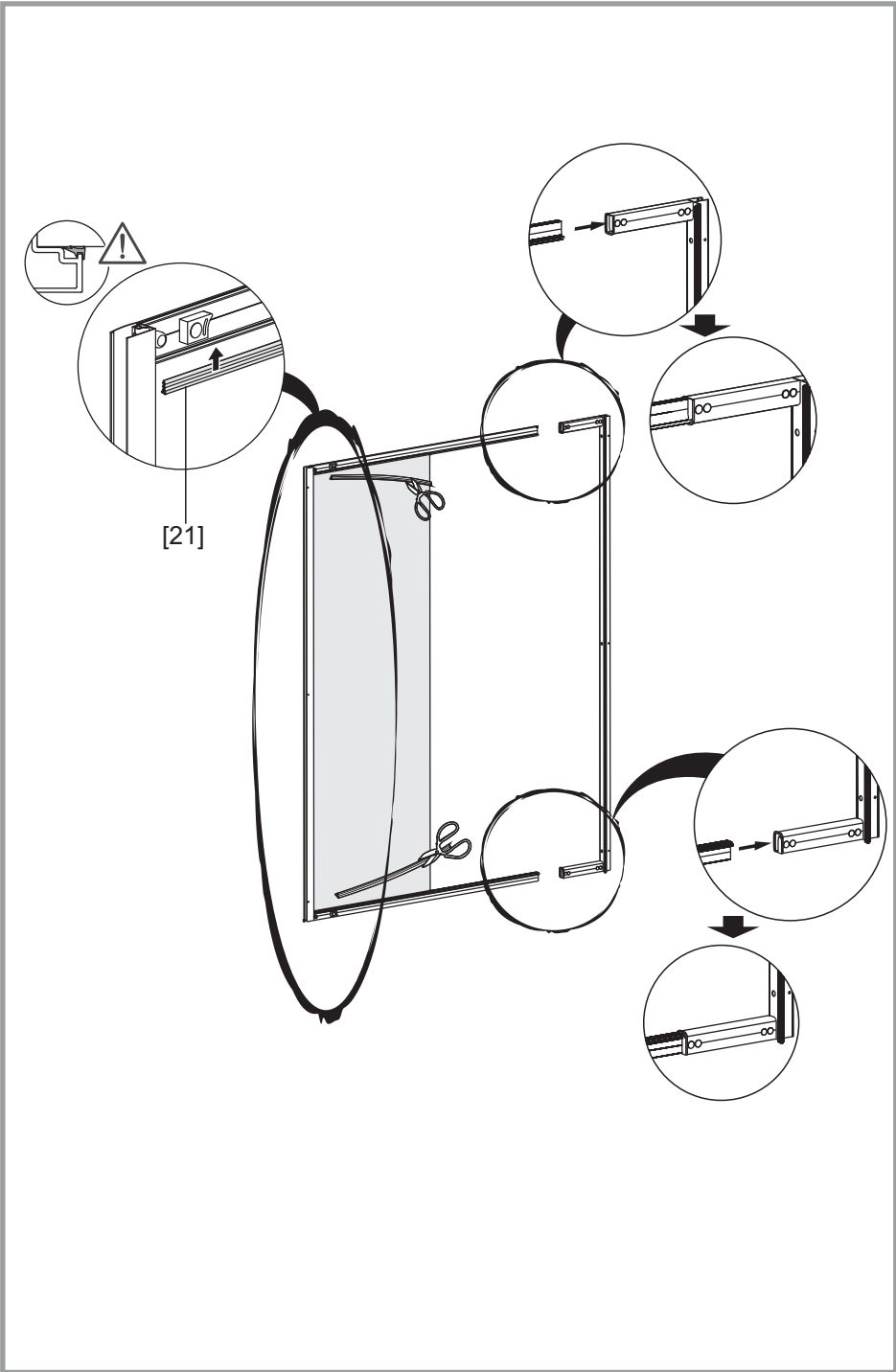
Model	X(mm)
LOFT120/135D	1200-1350
LOFT135/150D	1350-1500

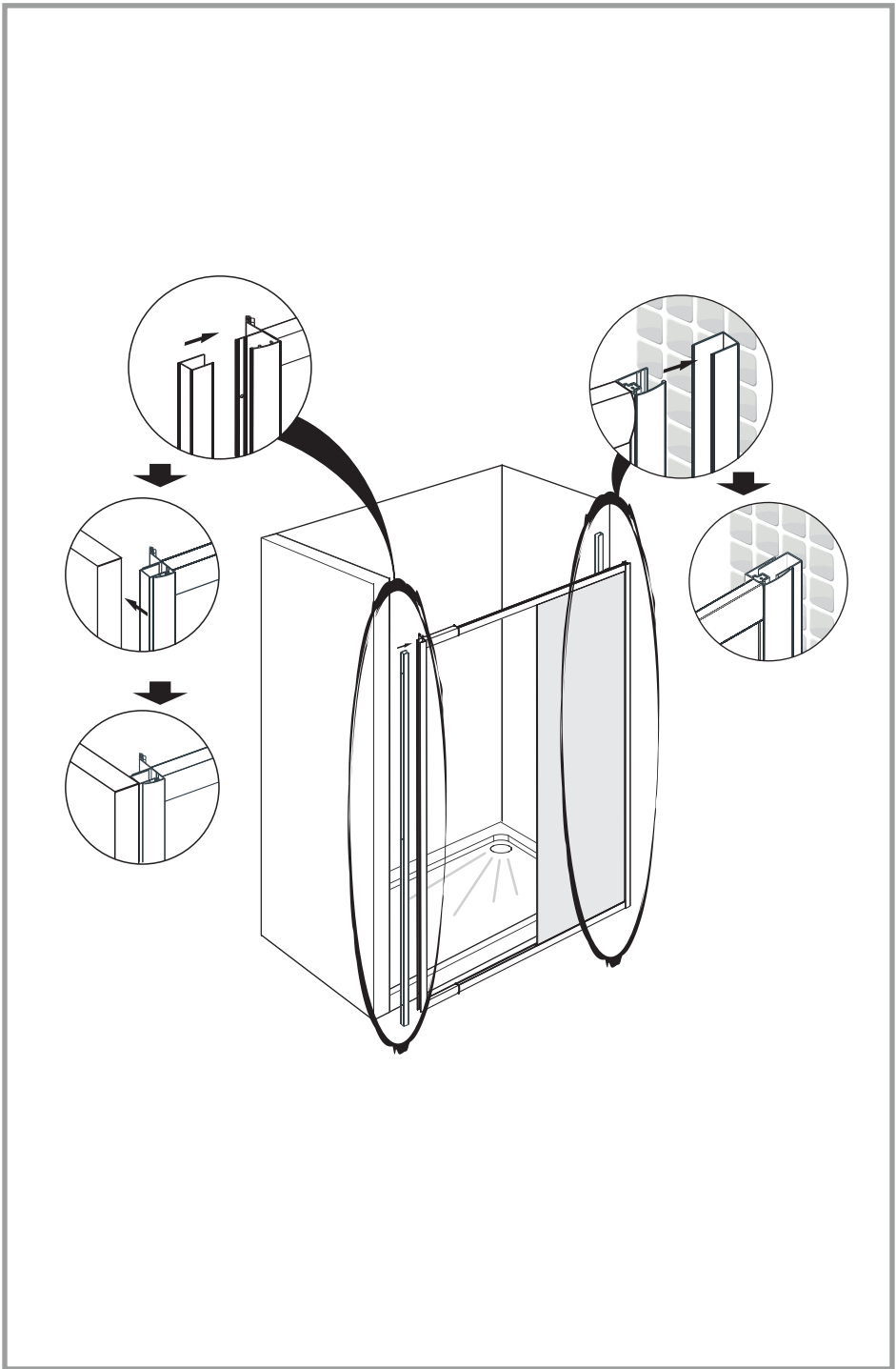


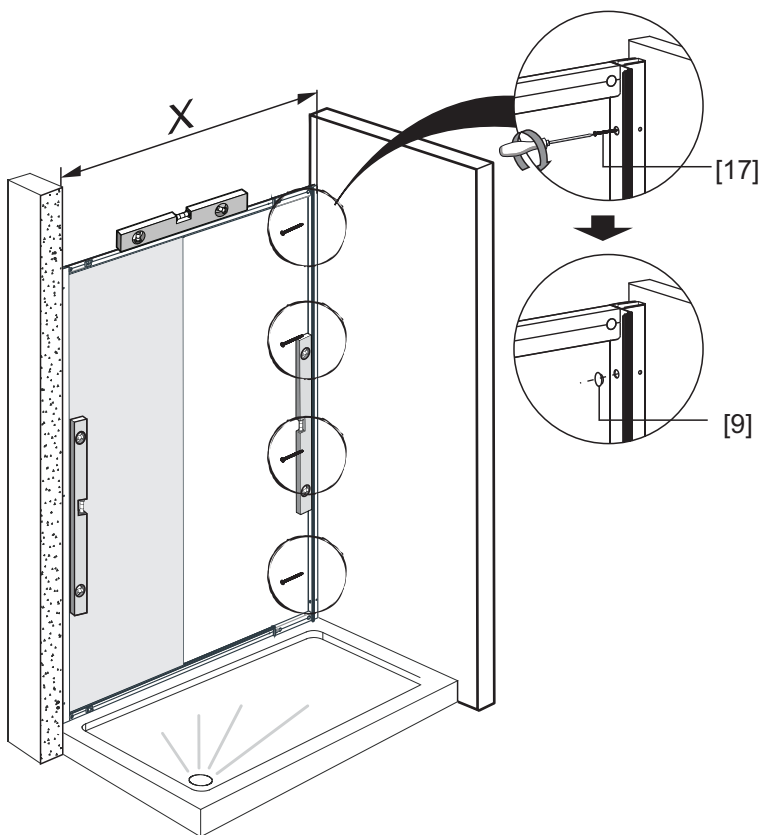












Model	X(mm)
LOFT120/135D	1200--1350
LOFT135/150D	1350--1500

