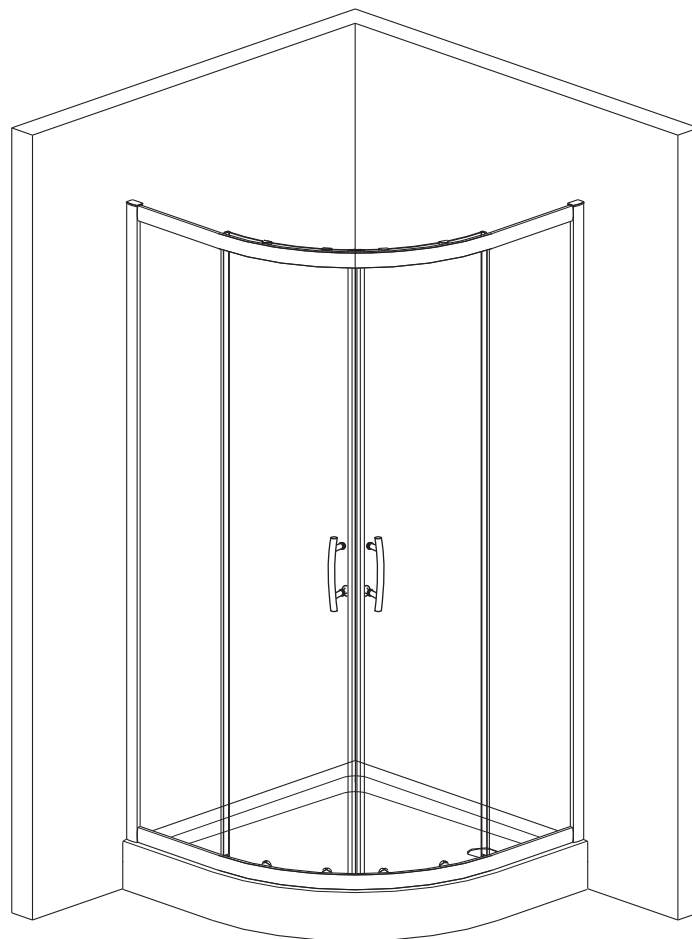


Bandh**o**urs

**POLO 80**  
**POLO 90**



80x80x205CM

90x90x205CM



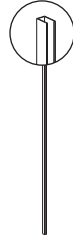
[01] x 2



[02] x 2



[03] x 2



[04] x 2



[05] x 2



[06] x 1



[07] x 4



[08] x 10



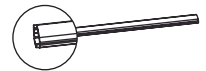
[09] x 2



[10]a x 2



[10]b x 2



[10]c x 2



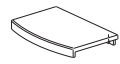
[11] x 2



[12]a x 4



[12]b x 4



[13]a x 1



[13]b x 1



[13]c x 2



[14] x 6



[15] x 8



(St4x10mm)  
[16] x 12



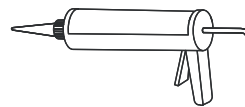
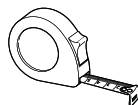
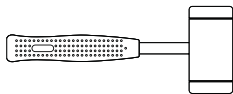
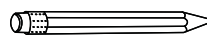
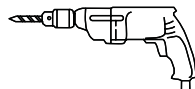
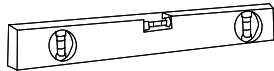
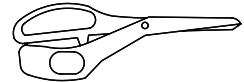
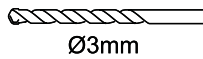
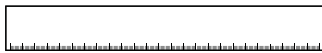
(St4x12mm)  
[17] x 10

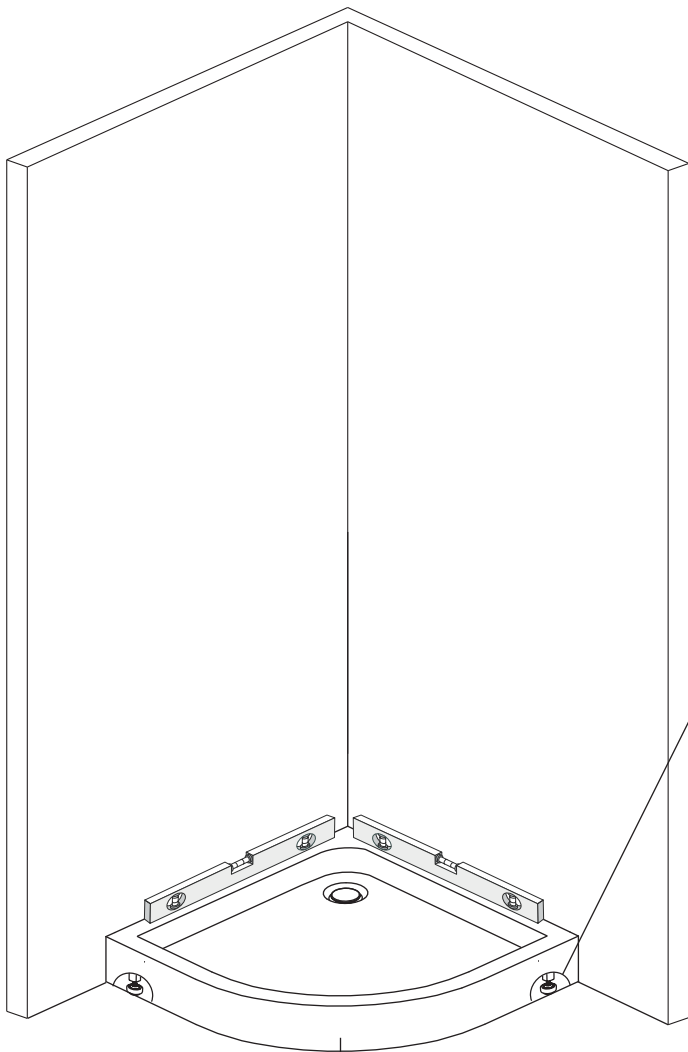


(St4x30mm)  
[18] x 6

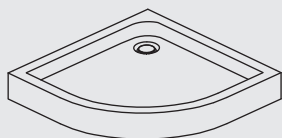
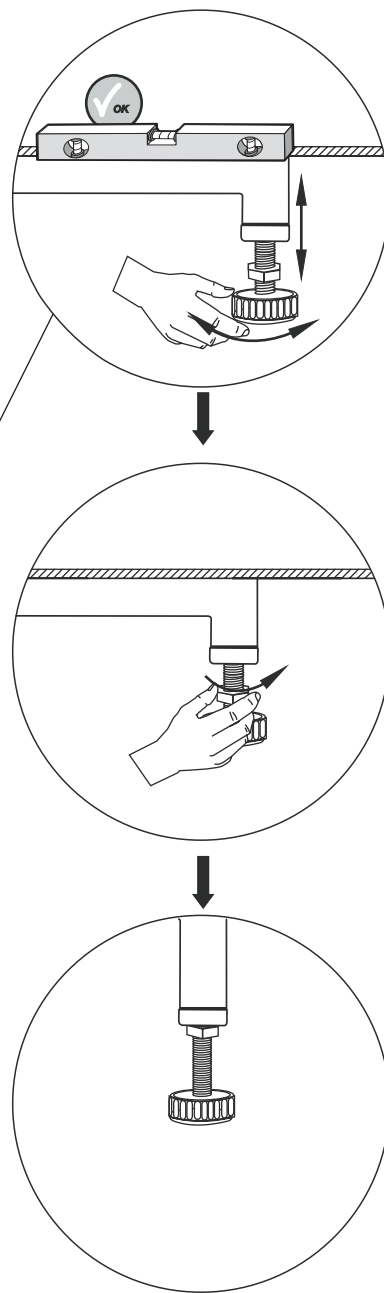


(M4x20mm)  
[19] x 8

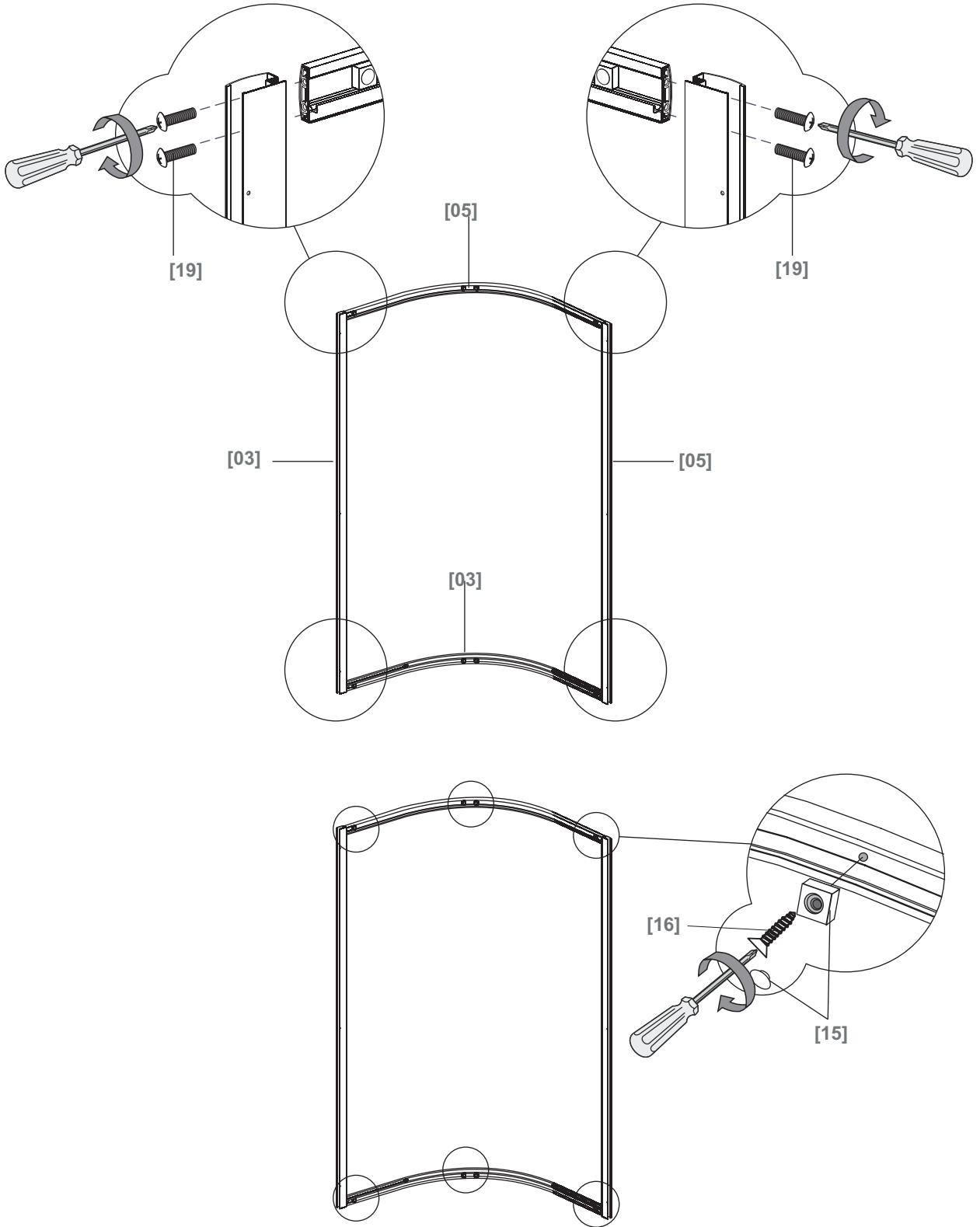




[06]



[06] x 1



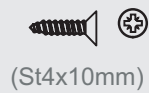
[03] x 2



[05] x 2



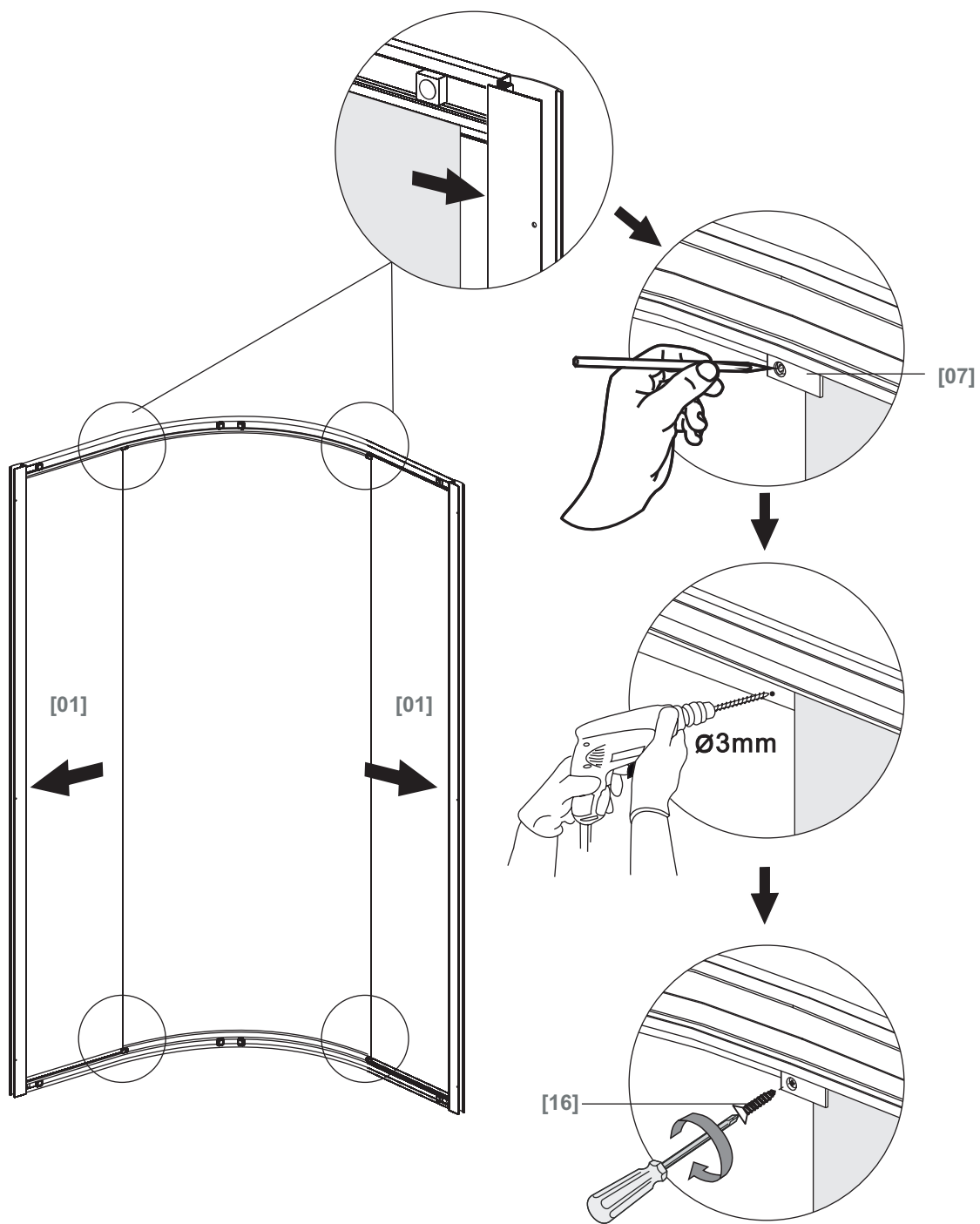
[15] x 4



[16] x 4



[19] x 8



[01] x 2

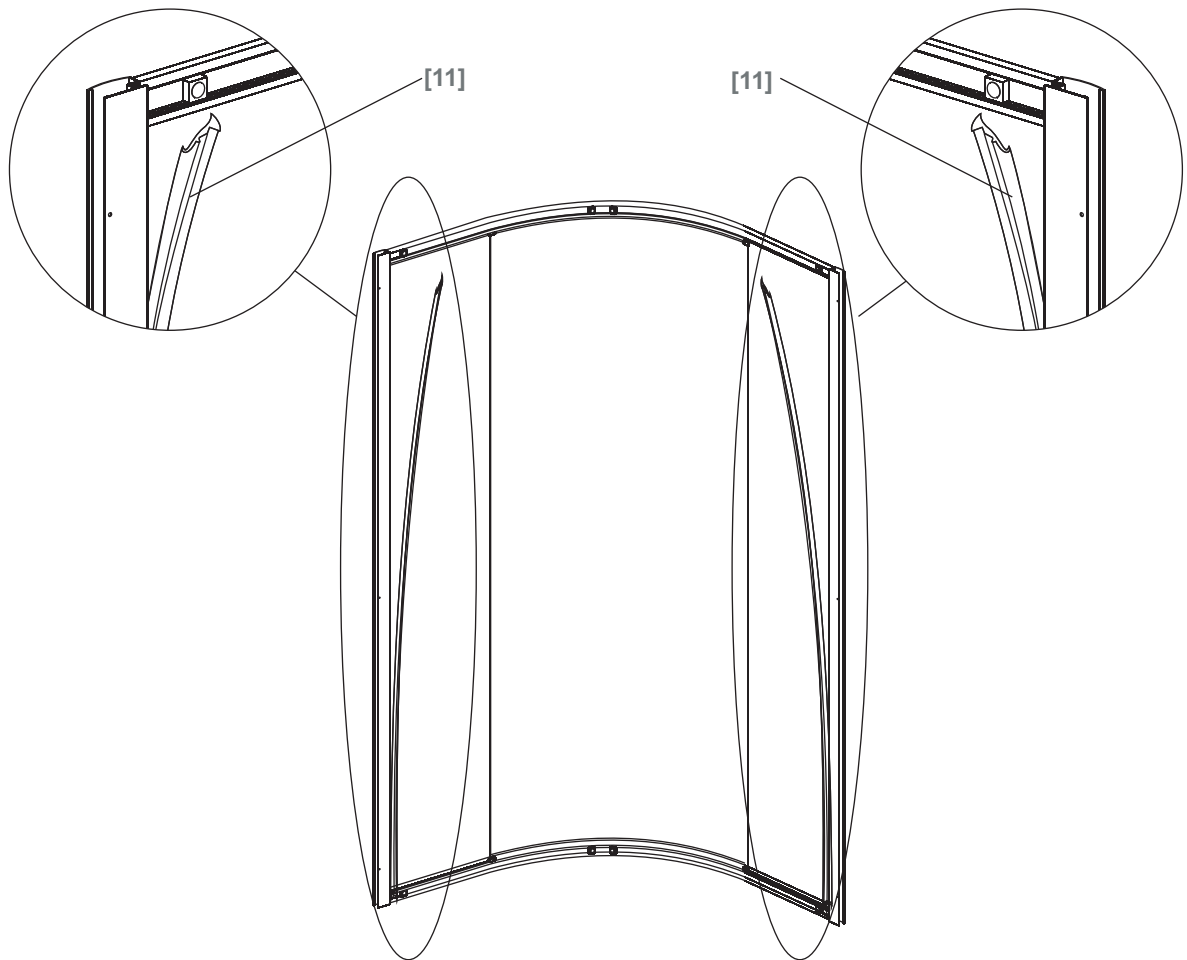


[07] x 4

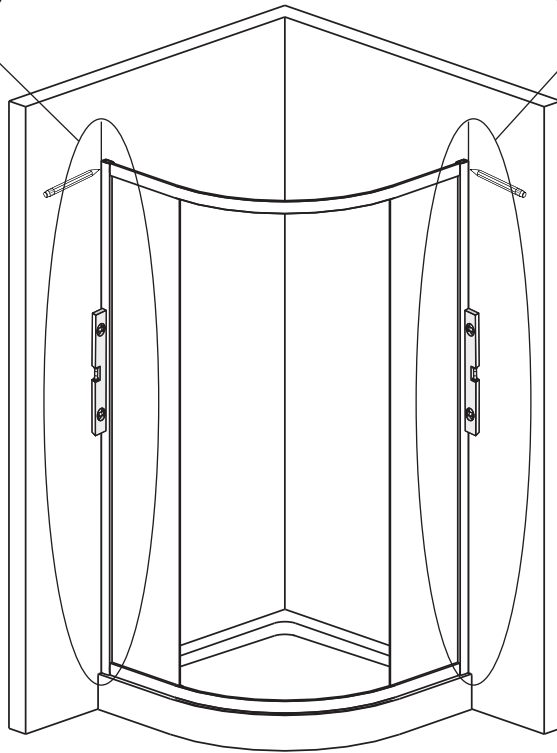
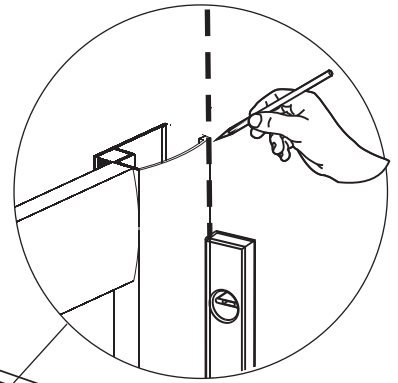
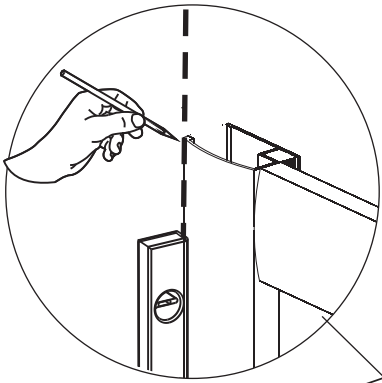


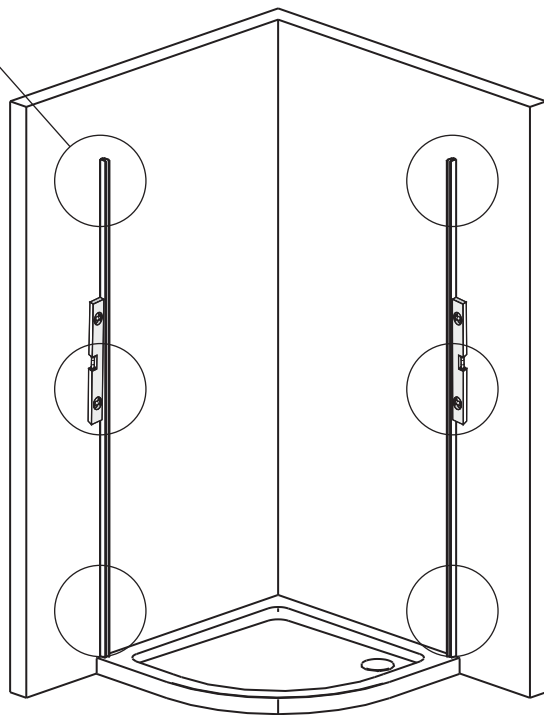
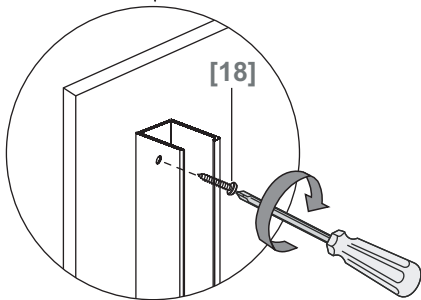
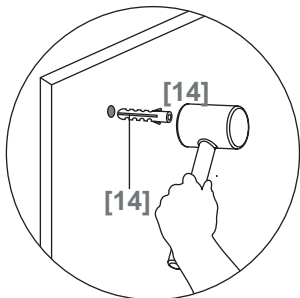
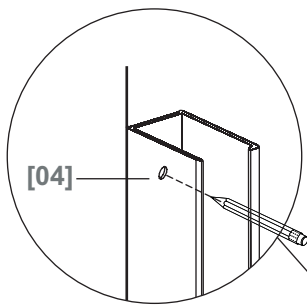
(St4x10mm)

[16] x 4



[11] x 2





[04] x 2



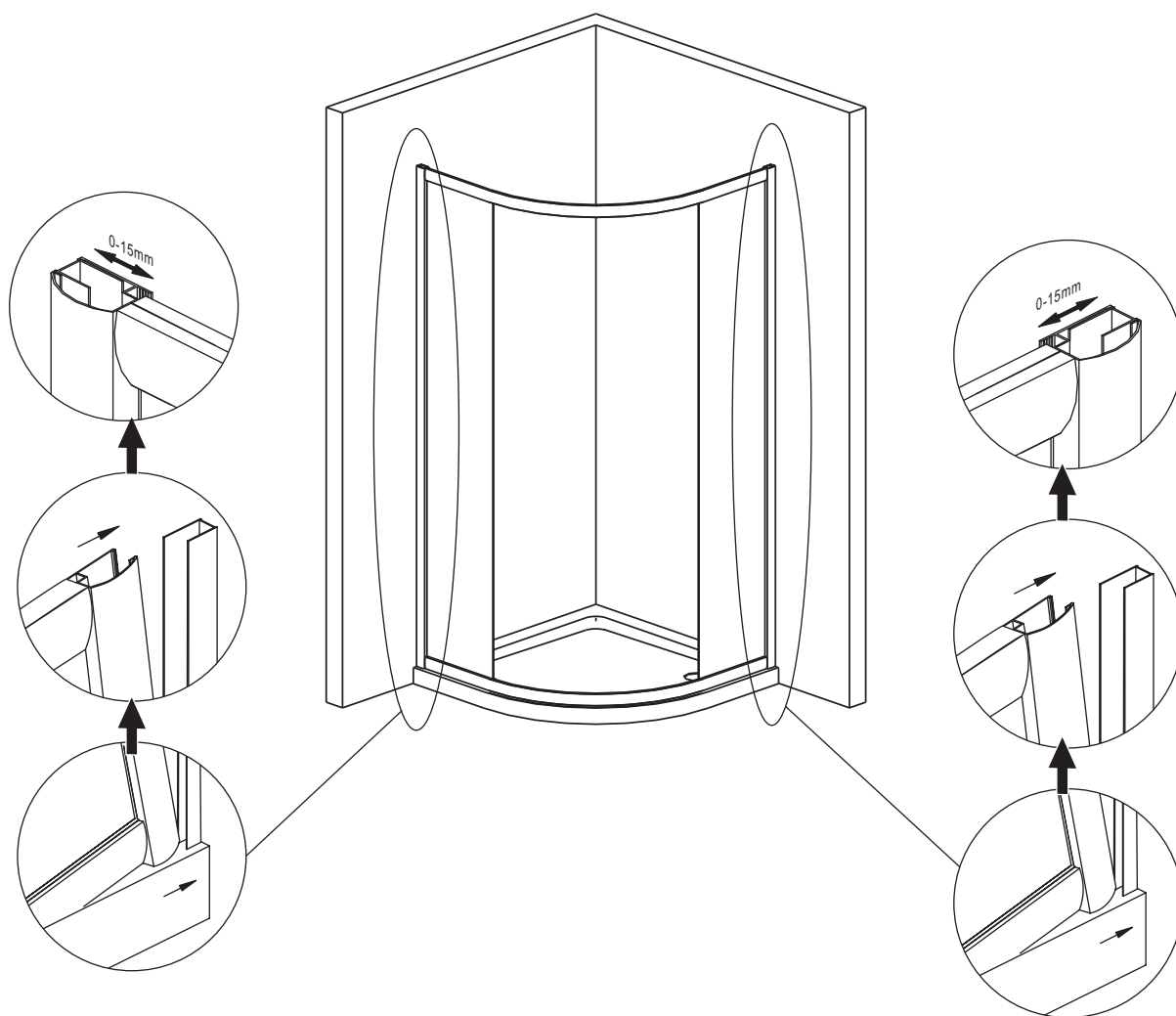
[14] x 6

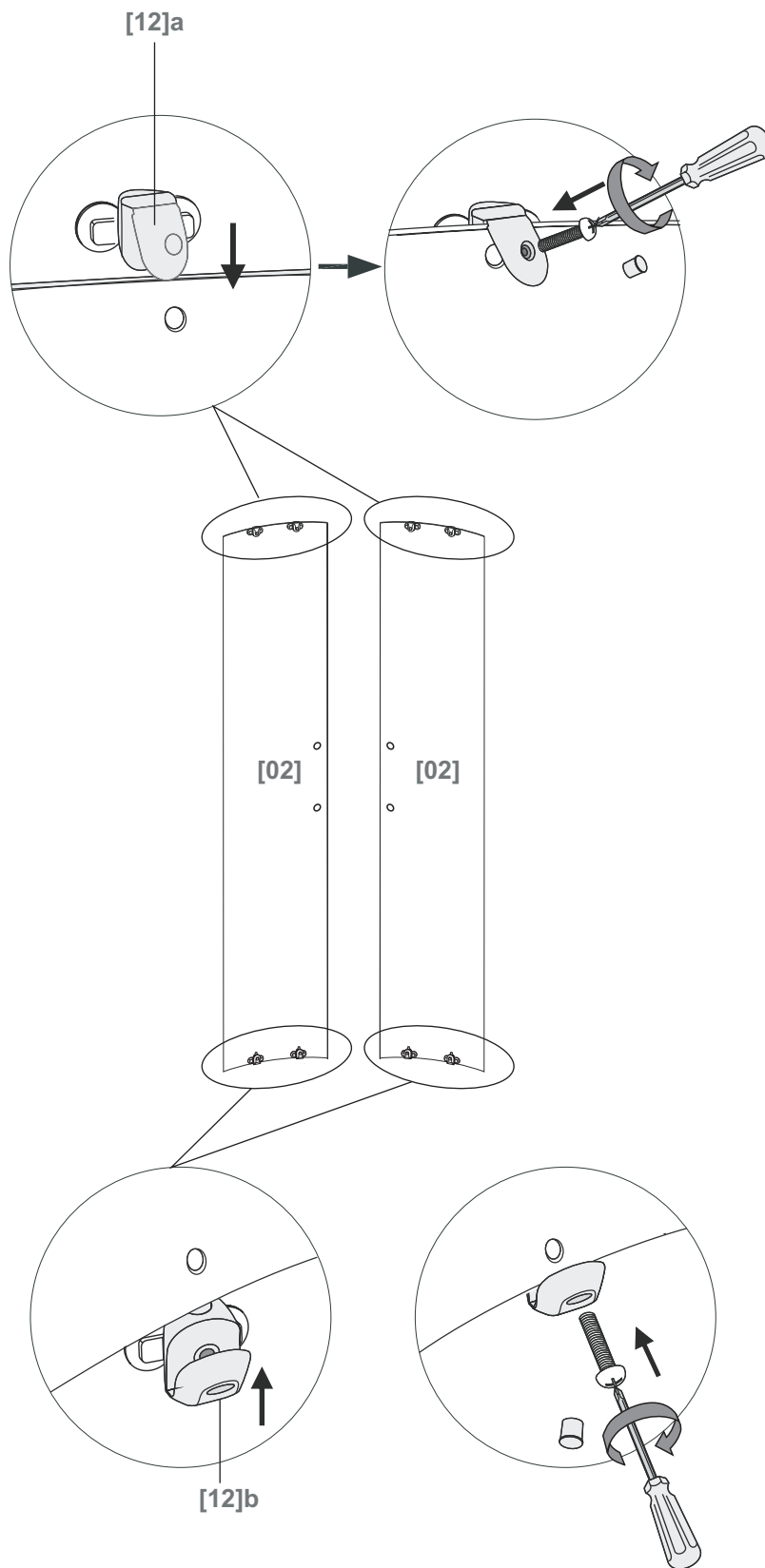


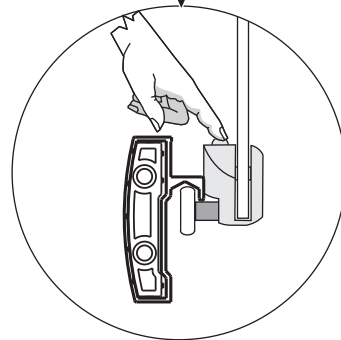
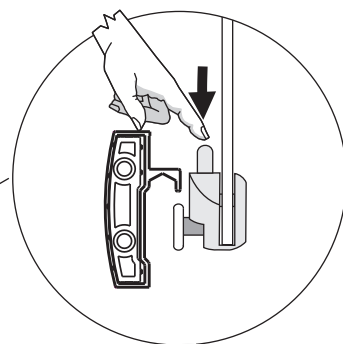
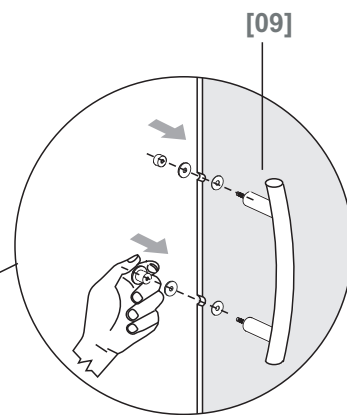
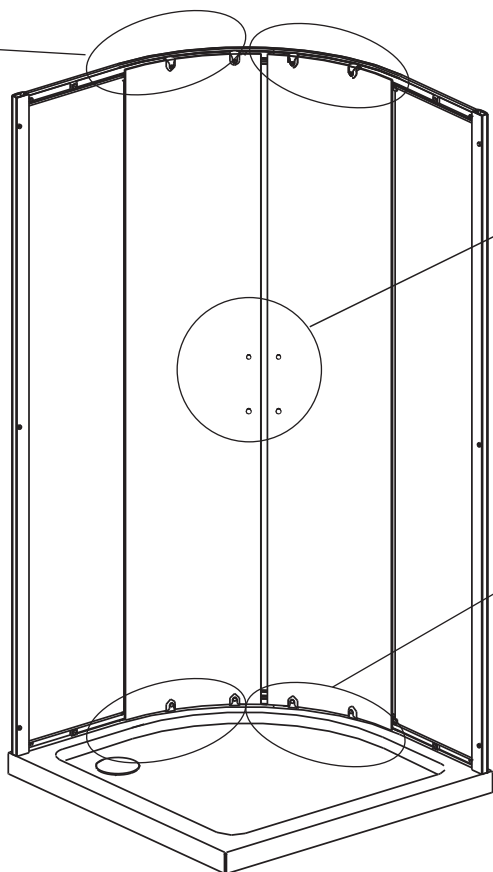
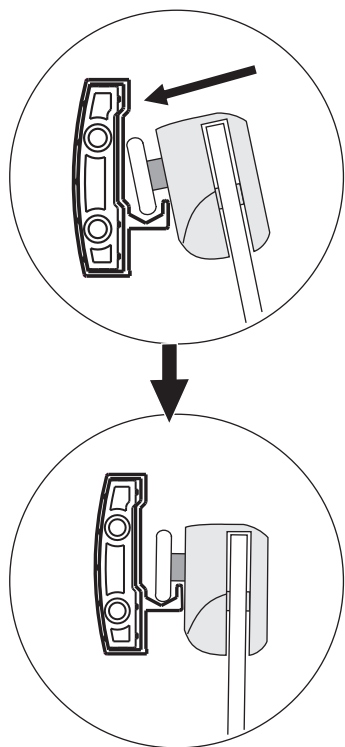
(St4x30mm)

[18] x 6

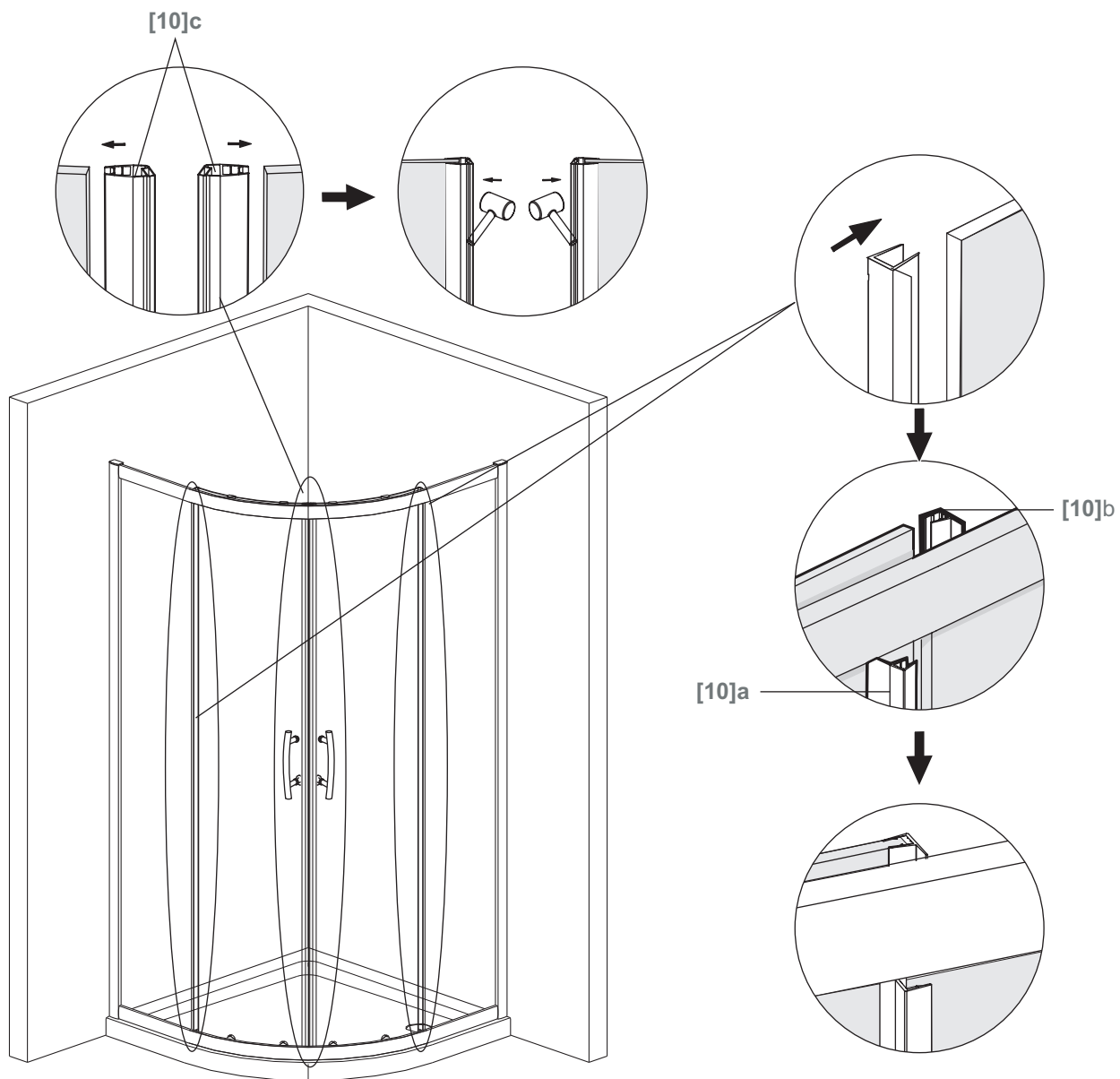








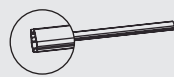
[09] x 2



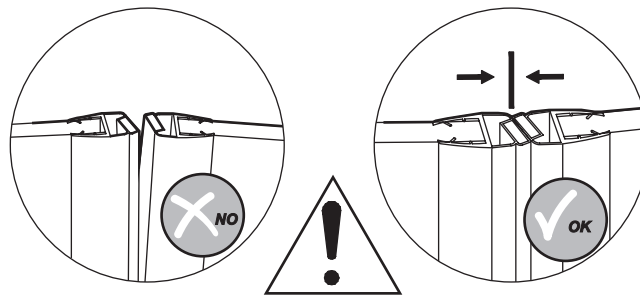
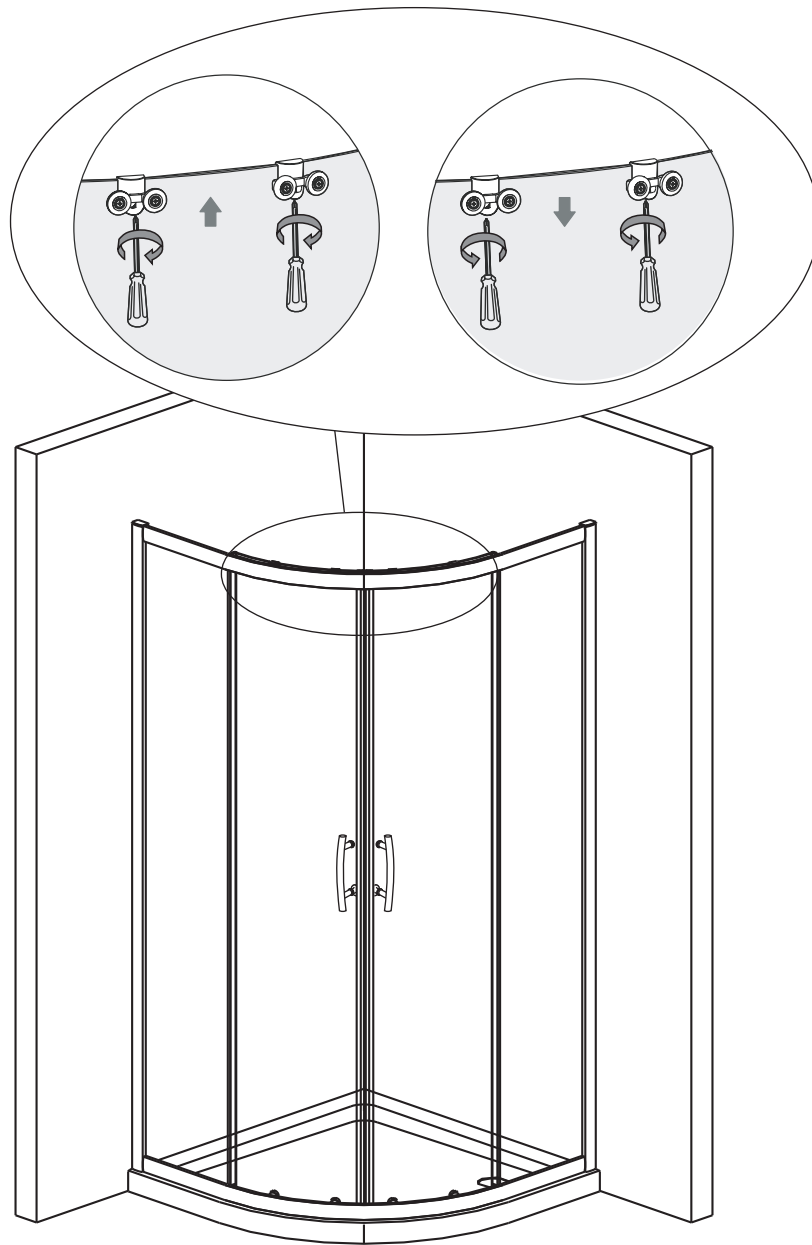
[10]a x 2

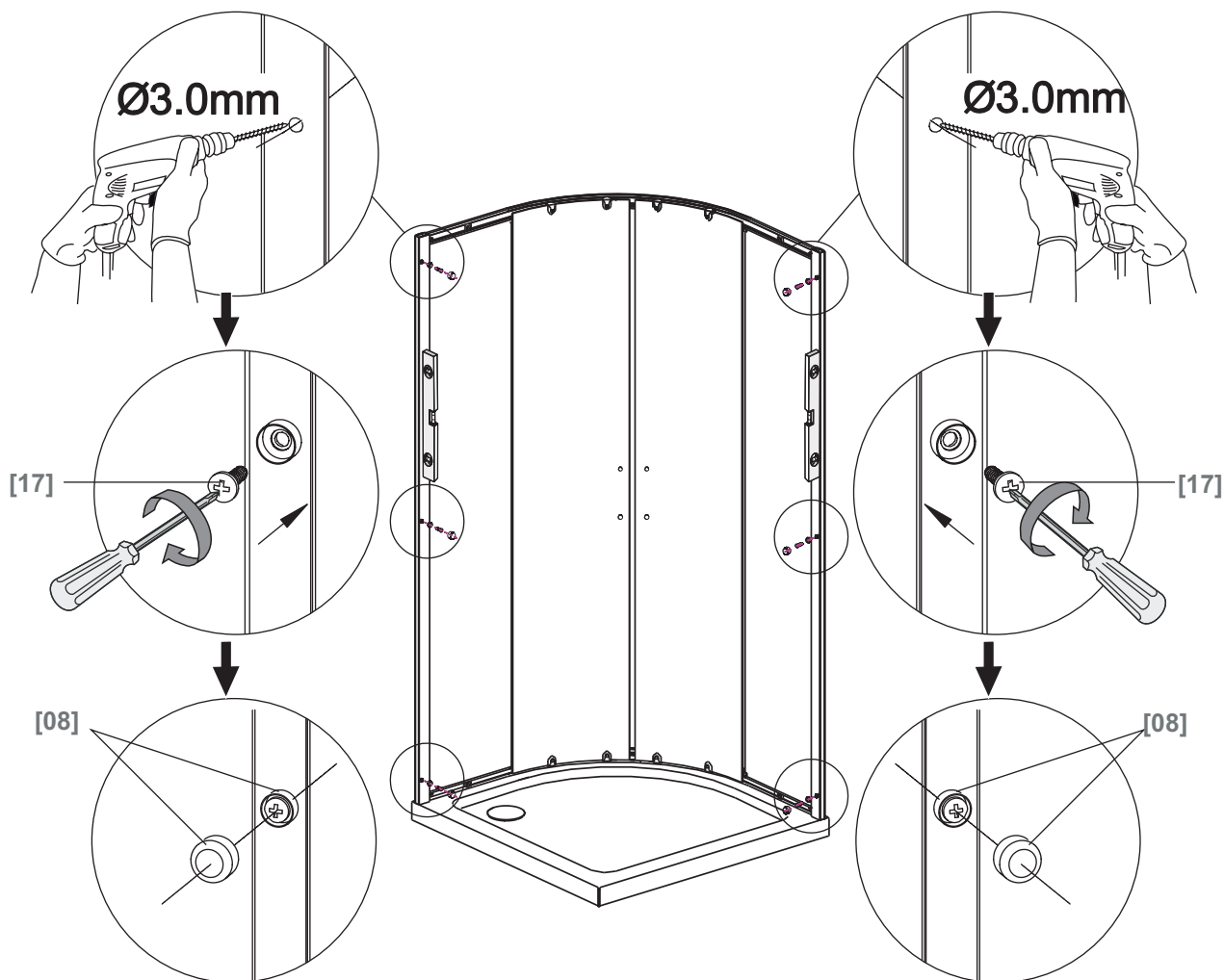


[10]b x 2



[10]c x 2

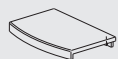
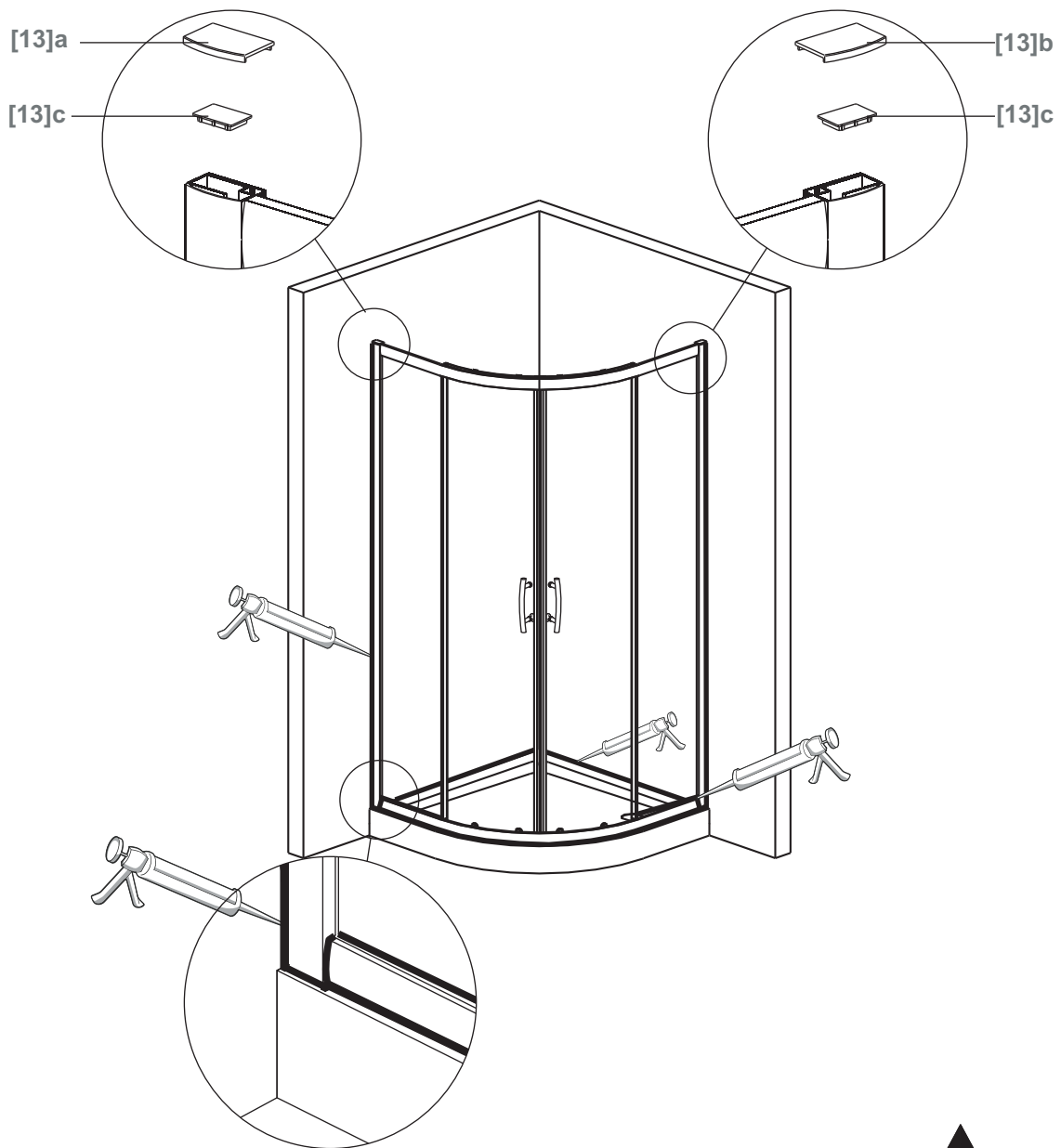




[08] x 6



[17] x 6



[13]a x 1



[13]b x 1



[13]c x 2